

JSK37YSA

Fifth Wheels

Terminal Tractor Fifth Wheel

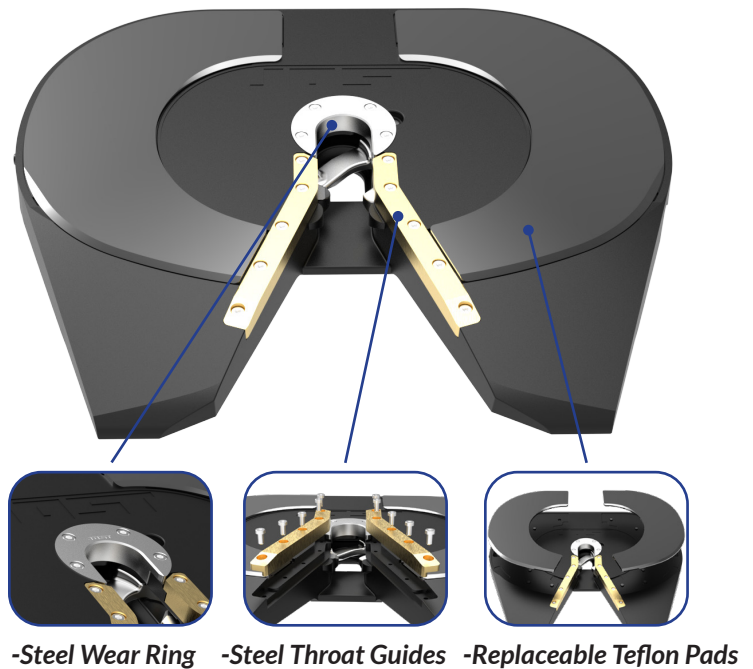
Maximize Productivity

Terminal tractors represent one of the most rugged and demanding challenges within the scope of fifth wheel applications. Whether they operate in ports, rail or within a fleet terminal, the applications involve hundreds of couplings each shift and often run 24 hours a day. Downtime for terminal tractors can quickly cripple productivity, and the **JOST JSK37YSA** is the key to preventing this potential issue.

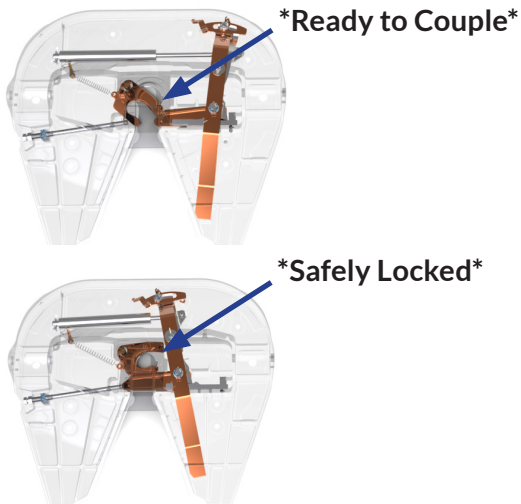
Reliability and Safety

The **JOST JSK37YSA** series is designed with the *reliability, safety and ease of maintenance* that JOST has become known for. The ability to quickly replace worn components and bring the topplate back to factory specifications maximizes your asset value.

This assures the *lowest lifetime cost of ownership*.



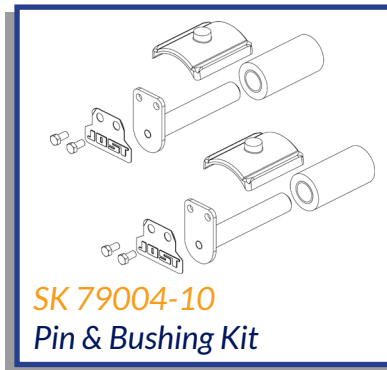
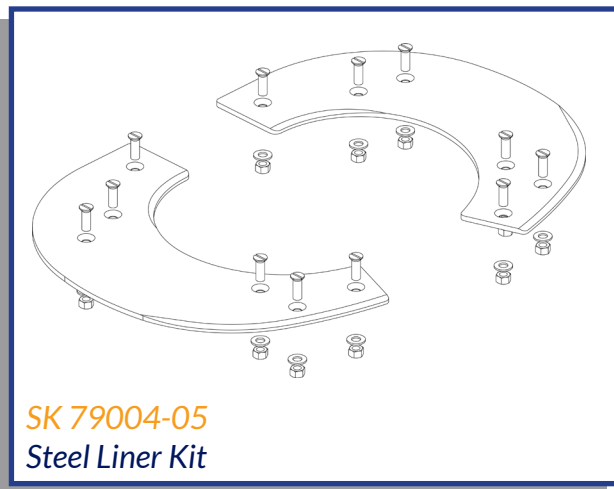
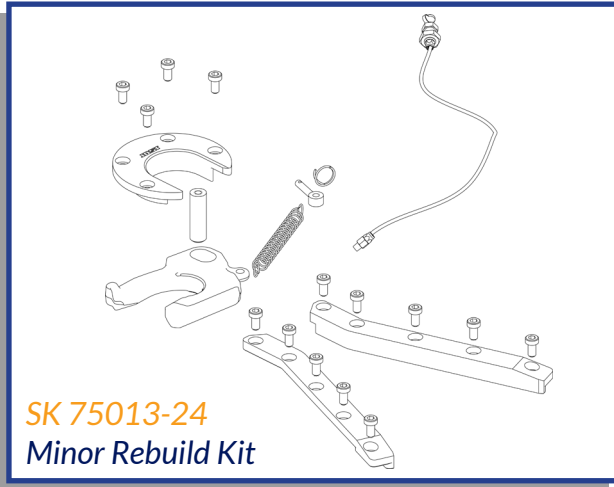
JSK37YSA INFORMATION



- Lowest lifetime cost of ownership.
- Remote grease zerk provides for delivery of fresh lubricant to the king pin contact area.
- Simple, safe cab actuated air release mechanism.
- Designed for specification on new applications and also available for aftermarket retrofit for Holland™ FW35-03344 series.

PRODUCT INFORMATION

Available Kits



- **JSK37YSA Includes:**

- Replaceable steel wear liners on trailer contact surface.

- Hardened steel wear ring.

- Hardened steel throat guides.

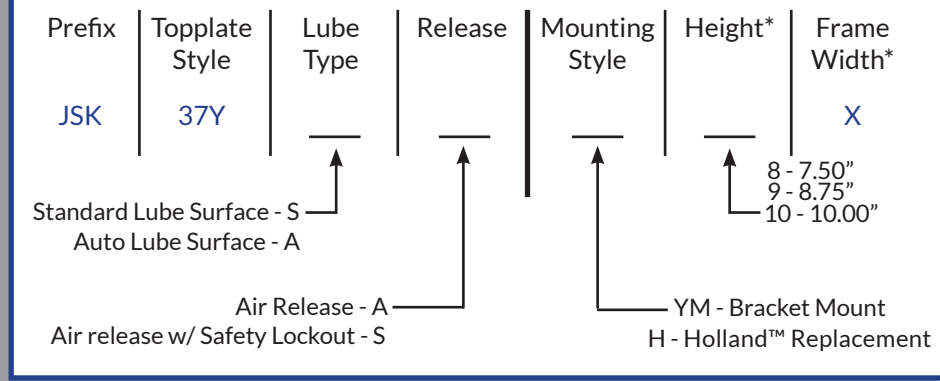
- **Other Options:**

- Drilled and tapped to accommodate an automatic lubrication system.

- JOST Lubetronic 5 Point** stand alone system offered as aftermarket retrofit providing automatic lubrication to total of 5 lubrication points.

Part Number Structure

* Leave Blank for Holland™ Replacement



Assembly Part Numbers

Stationary Mounts	Height
- JSK37YSA-YM8X	7.5"
- JSK37YSA-YM9X	8.75"
- JSK37YSA-YM10X	10"

