

The JOST Yard Spotter Assembly has the following Safety Features:

1. **Positive Lock Geometry.** The lock geometry drives the lock dog to the closed position if the release arm attempts to open. (See Figures 1)

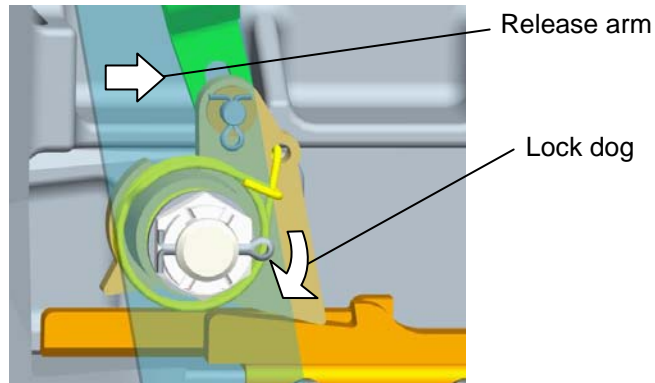


Figure 1

2. **Double Coil Spring.** Two coil springs (used on all JOST 37 series wheels) drives the release arm closed and holds it in the closed position. (See Figure 2)

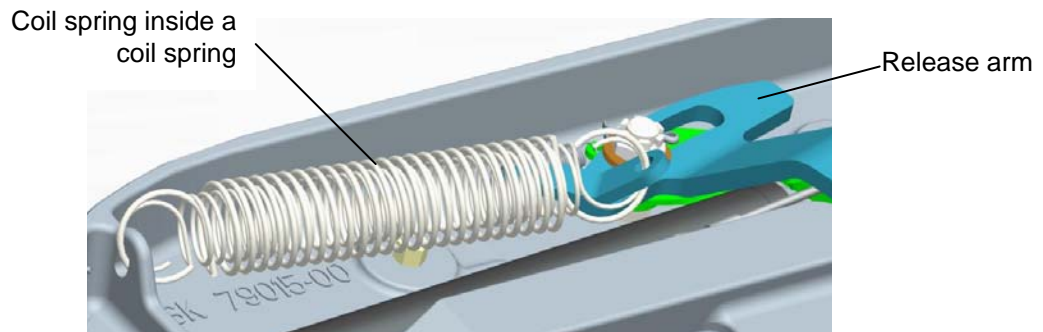


Figure 2

3. **Torsion Spring.** The Primary Lock Dog is engaged by a Torsion Spring. (See Figure 3)

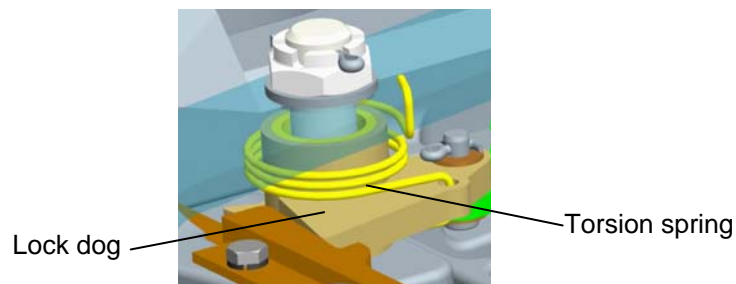


Figure 3

4. **Secondary Lock.** The Primary Lock Dog is secured by a spring loaded release mechanism with a mechanical advantage. (See Figure 4)

5. **Corrosion Protection.** All components are corrosion resistant.

6. **Self Lubricating Bushings.** All pivot locations have self lubricating non metallic bushings to assure free movement. (See Figure 5)

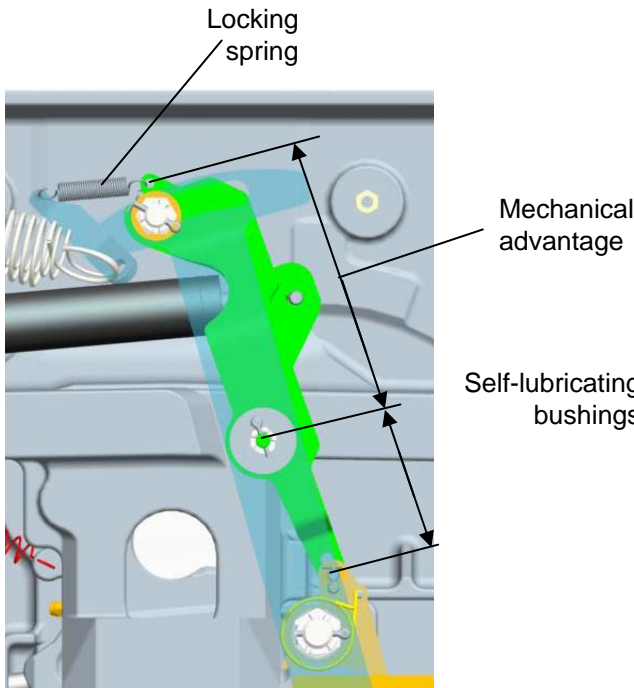


Figure 4

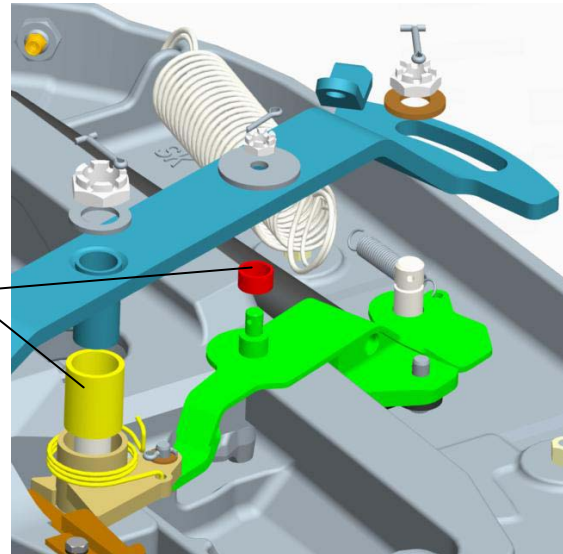
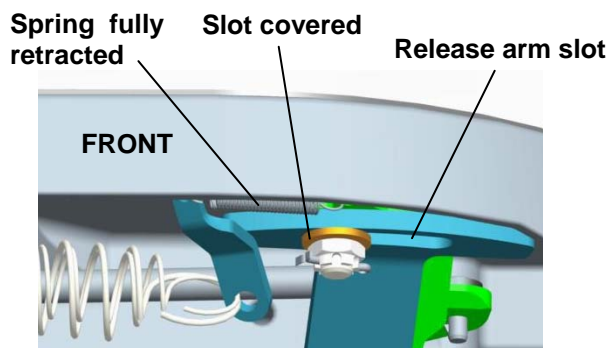
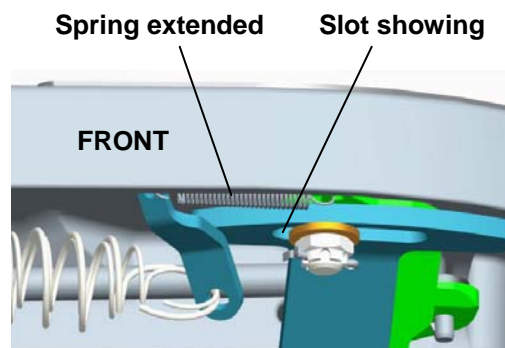


Figure 5

7. **Visual Lock Indicator.** The locking mechanism has a visual lock indicator to assist the driver in identifying proper locking. (See Figure 6).



OK



NOT OK

Figure 6