

This is a supplement document and is to be used in conjunction with the Jost standard installation instructions. Be sure to follow all the installation instructions provided in your Owner's Manual included with the Air Release Fifth Wheel.

Jost International strongly recommends the use of an Interlock in the Air System to guard against accidental actuation of the Fifth Wheel lock.



### WARNING

**THE AIR RELEASE SYSTEM MUST BE PROPERLY INTERLOCKED WITH THE TRACTOR/TRAILER BRAKE SYSTEM. IMPROPER INSTALLATION OF AIR LINES AND/OR INTERLOCK AIR MANIFOLD ASSEMBLY COULD CAUSE UNINTENTIONAL UNCOUPLING AS A RESULT OF ACCIDENTAL ACTIVATION. THE CONSEQUENCES COULD BE SERIOUS BODILY INJURY, DEATH AND/OR SIGNIFICANT PROPERTY DAMAGE.**

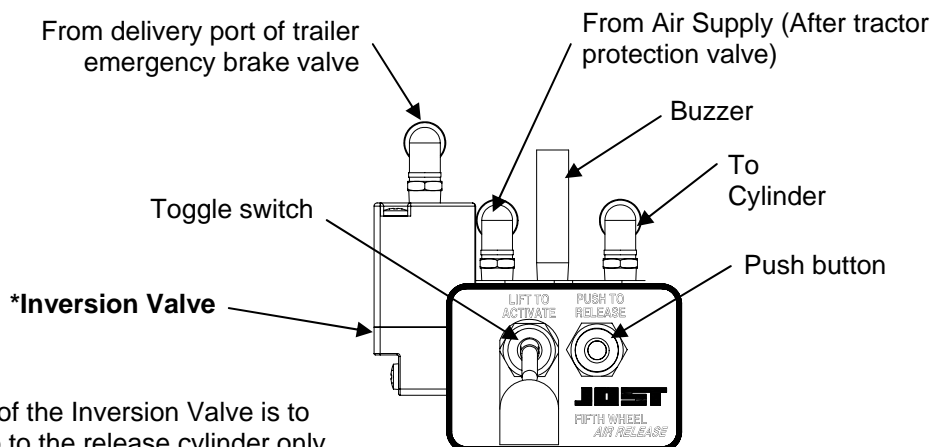
Jost offers a manifold assembly kit which (when installed properly) will provide a suitable interlock. To order this product please contact the sales department at:

**1-800-253-5105**

and specify:

### **Air Release Manifold Assembly Kit SK-75002-05**

A description of the Jost Air Release Manifold Assembly is found below (figure 1).  
See page 2 for the manifold installation instructions.



\* The purpose of the Inversion Valve is to allow air to go to the release cylinder only if the trailer emergency brakes are set.

**FIGURE 1**

The right to alter specifications is reserved.

Page 1 of 2

# MANIFOLD INSTALLATION INSTRUCTIONS



**FAILURE TO FOLLOW THESE INSTRUCTIONS  
COULD CAUSE A HAZARDOUS CONDITION!**

## A. INSTALL THE VALVE.

1. Install a tee in the line from the delivery port of the trailer emergency brake valve. Connect a line from the tee to the port on the inversion valve (see figure 1).
2. Connect an air source from the tractor (after the tractor protection valve) to the port labeled "From Air Supply" on the air release manifold (see figure 1).
3. Connect a line from the port labeled "To Cylinder" on the air release manifold (see figure 1) to the port on the air release cylinder under the fifth wheel topplate (see figure 2).

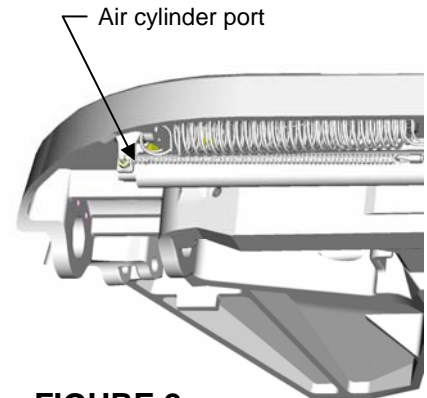


FIGURE 2

## B. CHECK FOR PROPER OPERATION.

1. **With the trailer brakes off:**  
Move the toggle switch to the activated position (see figures 3 & 4), depress the push button. The Buzzer should NOT sound and the air cylinder should NOT extend.
2. **With the trailer brakes on:**  
Move the toggle switch to the activated position (see figures 3 & 4), depress the push button. The Buzzer should sound and the air cylinder should extend.
3. Couple and uncouple to several different trailers to check for proper operation as described in Jost Air Release Operating Instructions LT JSK37 USA-02 supplied with the Jost Air Release Fifth Wheel.

FIGURE 3

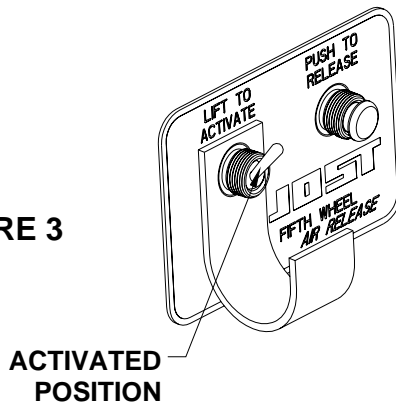


FIGURE 4

