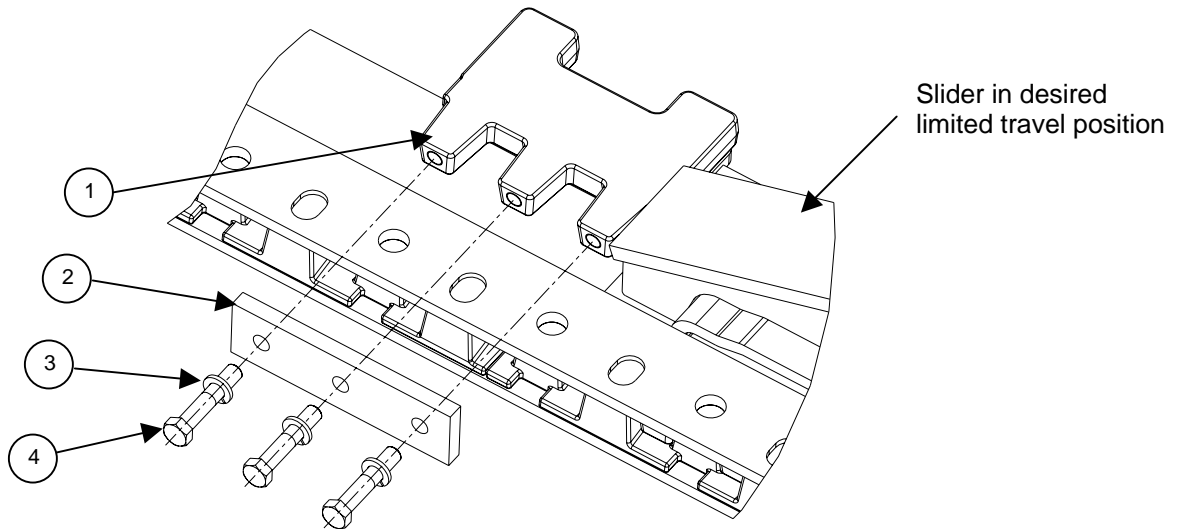


INSTALLATION INSTRUCTIONS
FOR OUTBOARD SLIDER
REPOSITIONAL SLIDE STOP KIT
PART NUMBER SK 75035-00

Outboard Slider Repositional Stop Kit

Part #SK 75035-00



Item	Qty	Description	Part No.	Item	Qty	Description	Part No.
1	2	Repositional Stop	SK 77019-04	3	6	Lock Washer	SK 70303-01
2	2	Stop Cap	SK 77019-03	4	6	3/8-16 x 1 3/4" lg. Hex Bolt	SK 70202-06

INSTALLATION

1. Position Slider in desired location for limited travel, to assure that the stops are located in the correct tooth of the slide rack.

Note: Stops must be located in order to provide equal contact on both sides of the slide plate.

2. Insert Repositional Stop (Item 1) in to rack.
3. Locate Stop Cap (Item 2) on outside of slider. Fasten with (3) 3/8-16 Bolts (Item 4) using lock washers (Item 3).
4. Tighten bolts evenly and then torque to 45ft/lbs.
5. Check for proper operation by locking and unlocking the slider in the limited travel position.

Note: The locking mechanism must fully engage when in the limited travel position.