

Step 1: Remove Topplate

- a) Straighten the tab washers (see figure 1) securing the mounting bolts.
- b) Remove the mounting bolts and tab washers.
- c) Remove the bracket pins using a large screwdriver or pry bar.
- d) Lift the topplate from the tractor. (Use extreme care whenever lifting and moving heavy objects.)

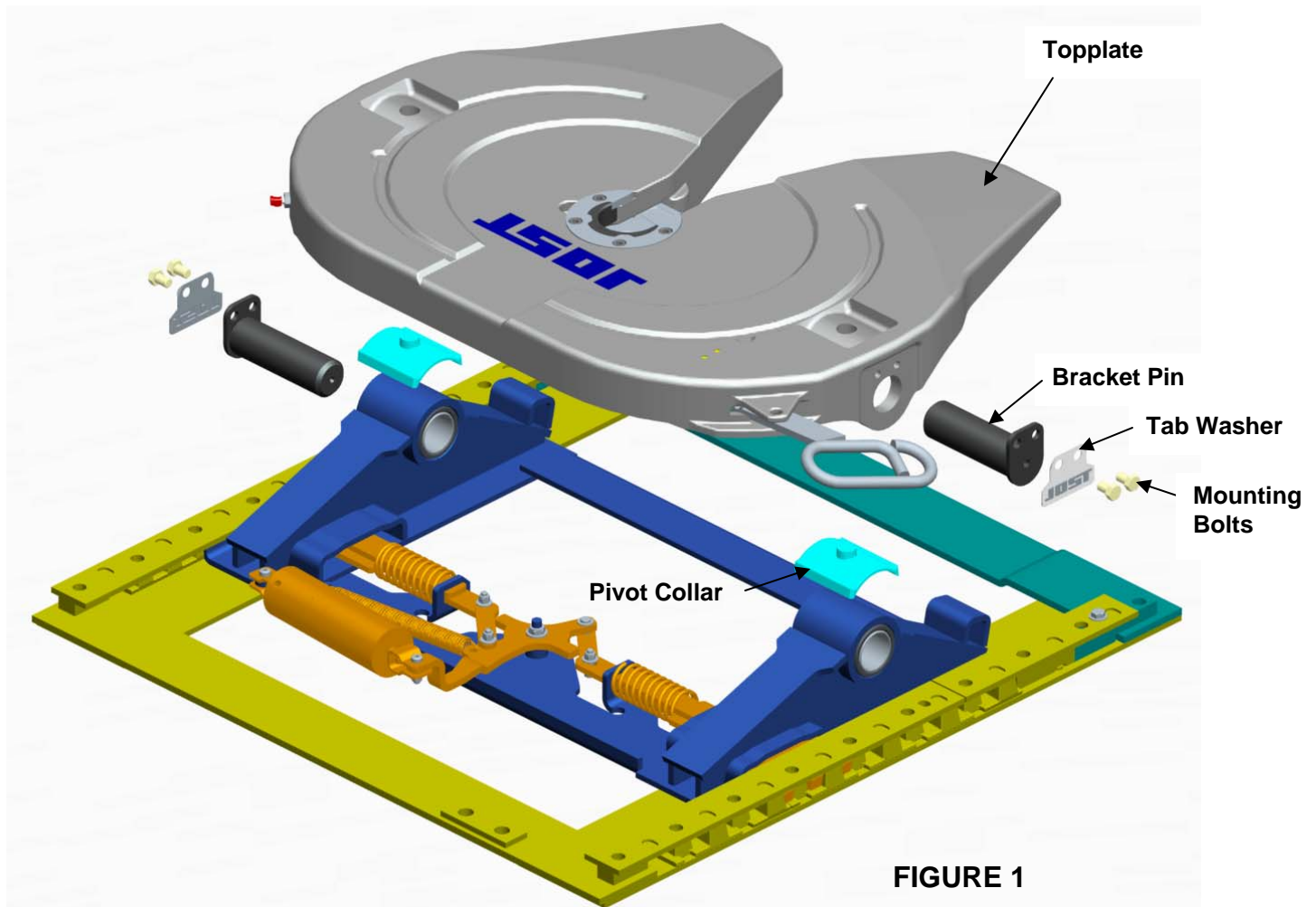


FIGURE 1

Step 2: Replace Bracket

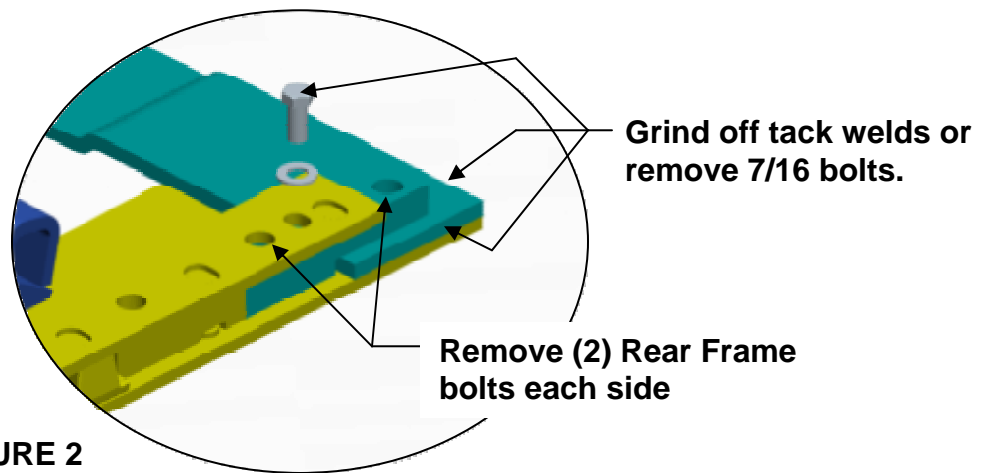


FIGURE 2

a) Grind off the three welds located on both sides of the rear of the slider bedplate or remove the 7/16 bolts attaching the rear stop to the slider rack.

b) Remove (4) rear frame bolts attaching the rear stop plate to the tractor frame.

c) Remove the rear stop plate by sliding it sideways (see Figure 3).

d) Actuate slider cylinder and remove slide bracket.

e) Actuate slider cylinder on new bracket and slide onto bedplate with the cylinder end forward.

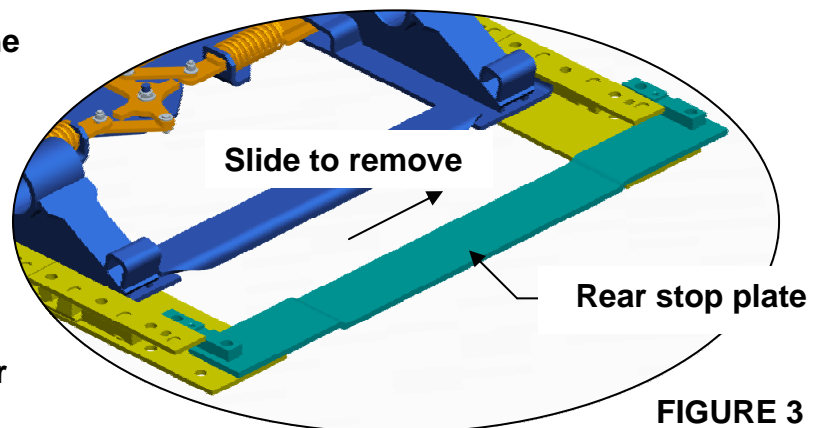


FIGURE 3

f) Replace the rear stop plate and bolts. Torque fasteners to bolt manufacturer's recommendations (5/8-11 grade 8 = 210 Ft-lbs). It is not necessary to replace the tack welds or 7/16 bolts removed in item "a".

Step 3: Re-Install Topplate

a) Lower the topplate onto the bracket using a suitable lifting device.

b) Install the bracket pins, tab washers and mounting bolts. Securely tighten the mounting bolts, then bend the locking tabs over each bolt (see figure 4).

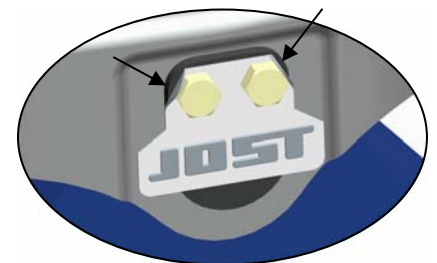


FIGURE 4

Assembly Tip: Before putting the topplate back on the mounting bracket, liberally grease the top of the pivot collars to help hold them in place.