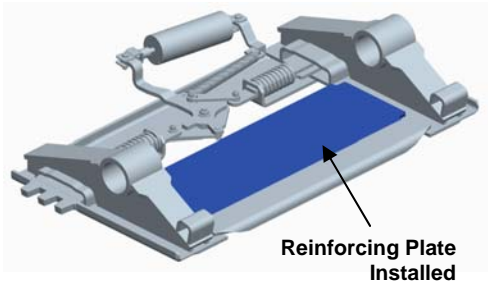


REINFORCED SLIDE BRACKET



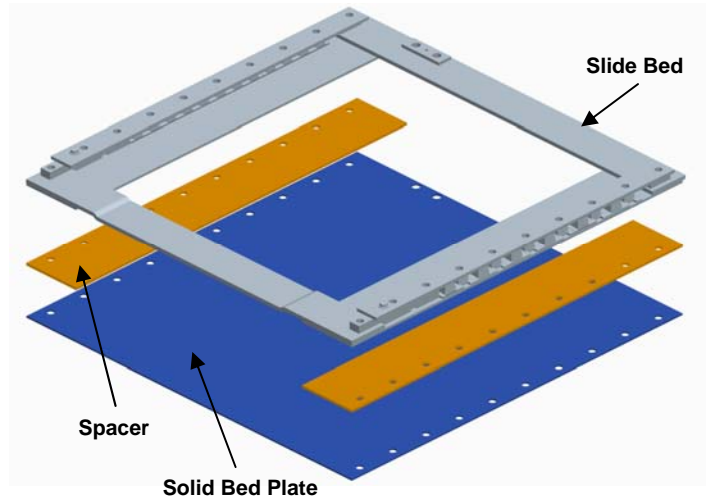
CAPACITY:

50,000 maximum vertical load.
150,000 maximum drawbar pull.

FEATURES:

- **MADE IN U.S.A.**
- Same reliable performance and technology expected from **JOIST**.
- Helps to prevent “racking” of the tractor frame.
- Designed to be used in off-road applications.
- Easy OEM or aftermarket installation.

REINFORCED SLIDE BED



To Order complete Fifth Wheel:

TOPPLATE				SLIDE BRACKET			SLIDE RAIL	
Fifth Wheel Product Line Prefix	Topplate Style	Topplate Lube Type	Topplate Release Type	Slider Style	Height	Slide Release	Frame	Slide
JSK	37U			AR		P	Y	
		Standard Lube Surface – S With Low Lube Plates – W Auto Lube (4 holes) – A	Left Hand Release – L Air Release – A Left Hand Retractable Handle – B		6.75" – 7 7.75" – 8 8.75" – 9	P – Pneumatic		12 – 12" 18 – 18" 24 – 24" 36 – 36" 48 – 48"

Example: JSK 37USL-AR7PY24

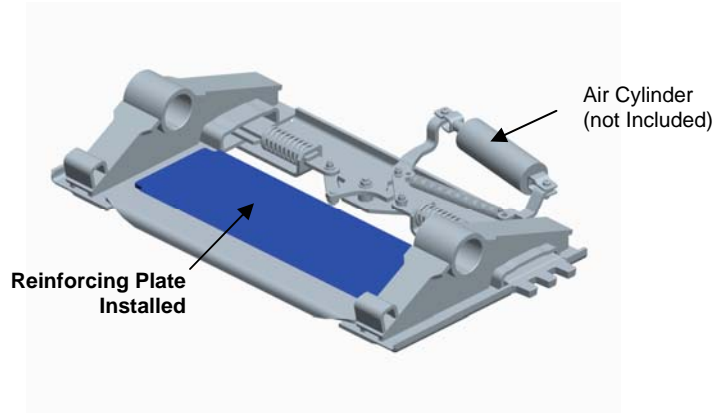
The right to alter specifications is reserved.

To order aftermarket components:

Reinforced Slide Bracket Replacement kit only	
JOIST Order Number	Height
AR7P	7" F.W. Height
AR8P	8" F.W. Height
AR9P	9" F.W. Height

Includes: Slide Bracket Asm

Air cylinder not included



Reinforced Slide Bed Retrofit kit only	
JOIST Order Number	Travel
SK-75061-12	12" Travel
SK-75061-16	16" Travel
SK-75061-24	24" Travel
SK-75061-36	36" Travel
SK-75061-48	48" Travel

Includes: (1) Solid Bed Plate,
(2) Spacers

Slide Bed not included

