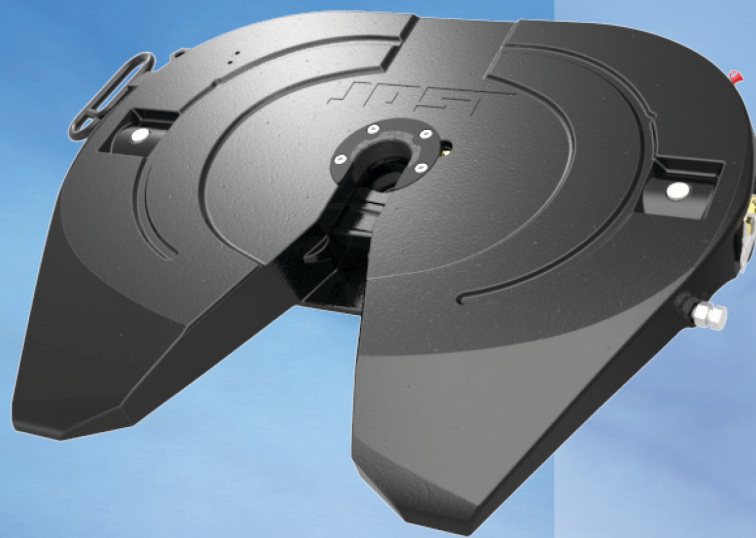
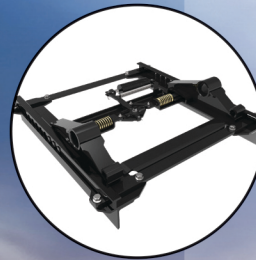


Fifth Wheel Catalog



**Outboard Mount
Air Slider**



**Inboard Mount
Air Slider**



Stationary Mounts



Service Tools





TABLE OF CONTENTS

	Pages
STANDARD TOPPLATE SPECIFICATIONS -----	1
Fabricated Topplate JSK 36NSL -----	2
Air Release Topplate -----	3
Cast Topplate JSK 37U -----	4
Low Lube Topplate JSK 37UW -----	5
Drop Handle & Internal Adjustment JSK 37010 -----	6
TOPPLATE DIMENSIONS & SPECIAL OPTIONS -----	7
YARD SPOTTER TOPPLATE SPECIFICATIONS -----	8
Yard Spotter Topplate JSK 37Y -----	9
REPLACEMENT TOPPLATE SPECIFICATIONS -----	10
Replacement Topplate JSK 37F/JSK 37H -----	11
SLIDING FIFTH WHEEL ASSEMBLIES -----	12-23
Outboard Mount -----	12-17
Inboard Mount -----	18-23
STATIONARY FIFTH WHEEL ASSEMBLIES -----	24-32
Outboard Flat Plate Mount -----	24-25
Outboard Plate Mount -----	26-27
Inboard Angle Mount -----	28-29
Bracket for Angle Mount -----	30-31
Stationary Mounting Brackets -----	32
NO-TILT CONVERTIBLE -----	33
FIFTH WHEEL ACCESSORIES -----	34-36
Replacement Kits -----	34
Air Line Kits -----	35
Air Components -----	36
MOUNTING ACCESSORIES -----	37-40
Hardware Kits -----	37
Sliding Outboard Mounting Angle -----	38
Stationary Mounting Angles -----	39
Corrugated Mounting Plate -----	40
SERVICE TOOLS -----	41

Online locations for important information:


Warranty and Claim Forms -- <https://www.jostinternational.com/warranty/>
Fifth Wheel Literature -- <https://www.jostinternational.com/fifth-wheels-literature/>
Landing Gear Literature -- <https://www.jostinternational.com/landing-gear/>
Representatives -- <https://www.jostinternational.com/regional-managers/>
Bracket Exchange -- <http://jostinternational.com/bracket-exchange/>
Dealer Directory -- <https://www.jostinternational.com/dealer-directory/>
Contact Form -- <https://www.jostinternational.com/contact/>

Inside Sales:

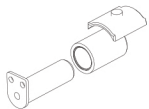
Scott Vandermolen
svandermolen@jostinternational.com
800-253-5105 x332

Todd Vandermolen
tvandermolen@jostinternational.com
800-253-5105 x330

PART NUMBER MASTER

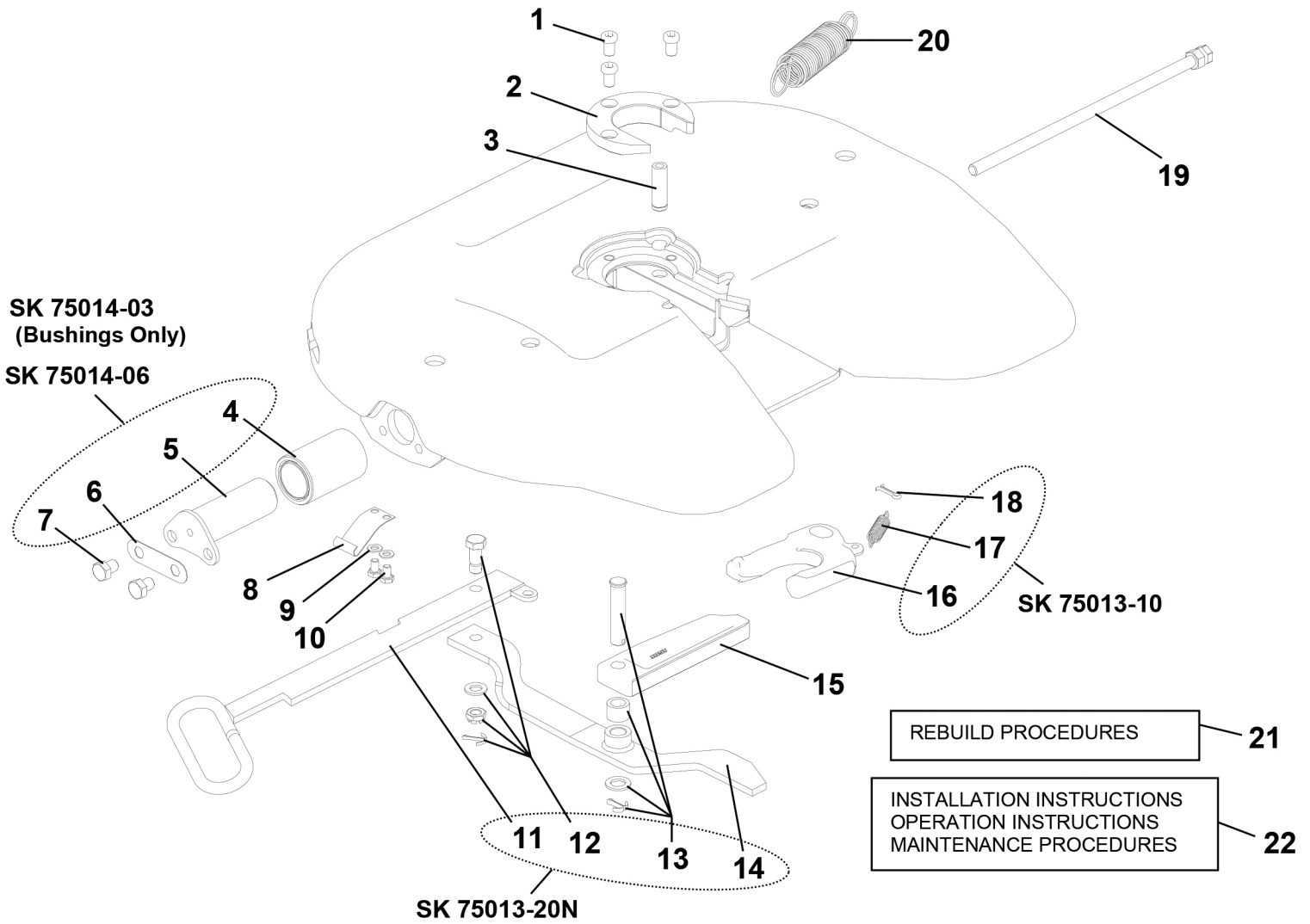
Fifth Wheel Product Line Code	Topplate Style	Code	Topplate Lube Type	Code	Topplate Release Type	Code	 Model Number*	Weight	Parts List found on page #			
JSK	Fabricated Topplate	36N	Standard	S	Left Hand Release	L	JSK 36NSL	210 lbs.	Page 2			
	Cast Topplate		37U		Auto Lube		A	‡Air Release	A	JSK 37UAA	246 lbs.	Page 3
								Left Hand Retractable		B	JSK 37UAB	242 lbs.
		Left Hand Release		L		JSK 37UAL		240 lbs.			Page 4	
		Auto Lube w/Steel Wear Ring			D	‡Air Release	A	JSK 37UDA	247 lbs.	Page 3		
				Left Hand Retractable				B	JSK 37UDB	243 lbs.	Page 4	
				Left Hand Release					L	JSK 37UDL	241 lbs.	Page 4
		Standard	S	‡Air Release	A	JSK 37USA	246 lbs.	Page 3				
						Left Hand Retractable	B	JSK 37USB	242 lbs.	Page 4		
						Left Hand Release		L	JSK 37USL	240 lbs.	Page 4	
		Standard w/Steel Wear Ring	B	‡Air Release	A	JSK 37UBA	247 lbs.		Page 3			
						Left Hand Retractable	B	JSK 37UBB	243 lbs.	Page 4		
						Left Hand Release		L	JSK 37UBL	241 lbs.	Page 4	
		With Low Lube Plates	W	‡Air Release	A	JSK 37UWA	270 lbs.		Page 3 & 5			
						Left Hand Retractable	B	JSK 37UWB	266 lbs.	Page 5		
						Left Hand Release		L	JSK 37UWL	264 lbs.	Page 5	
		With Low Lube Plates & Steel Wear Ring	C	‡Air Release	A	JSK 37UCA	271 lbs.		Page 3 & 5			
						Left Hand Retractable	B	JSK 37UCB	267 lbs.	Page 5		
						Left Hand Release		L	JSK 37UCL	265 lbs.	Page 5	

*Pins, bushings & collars not included when ordering topplate only.



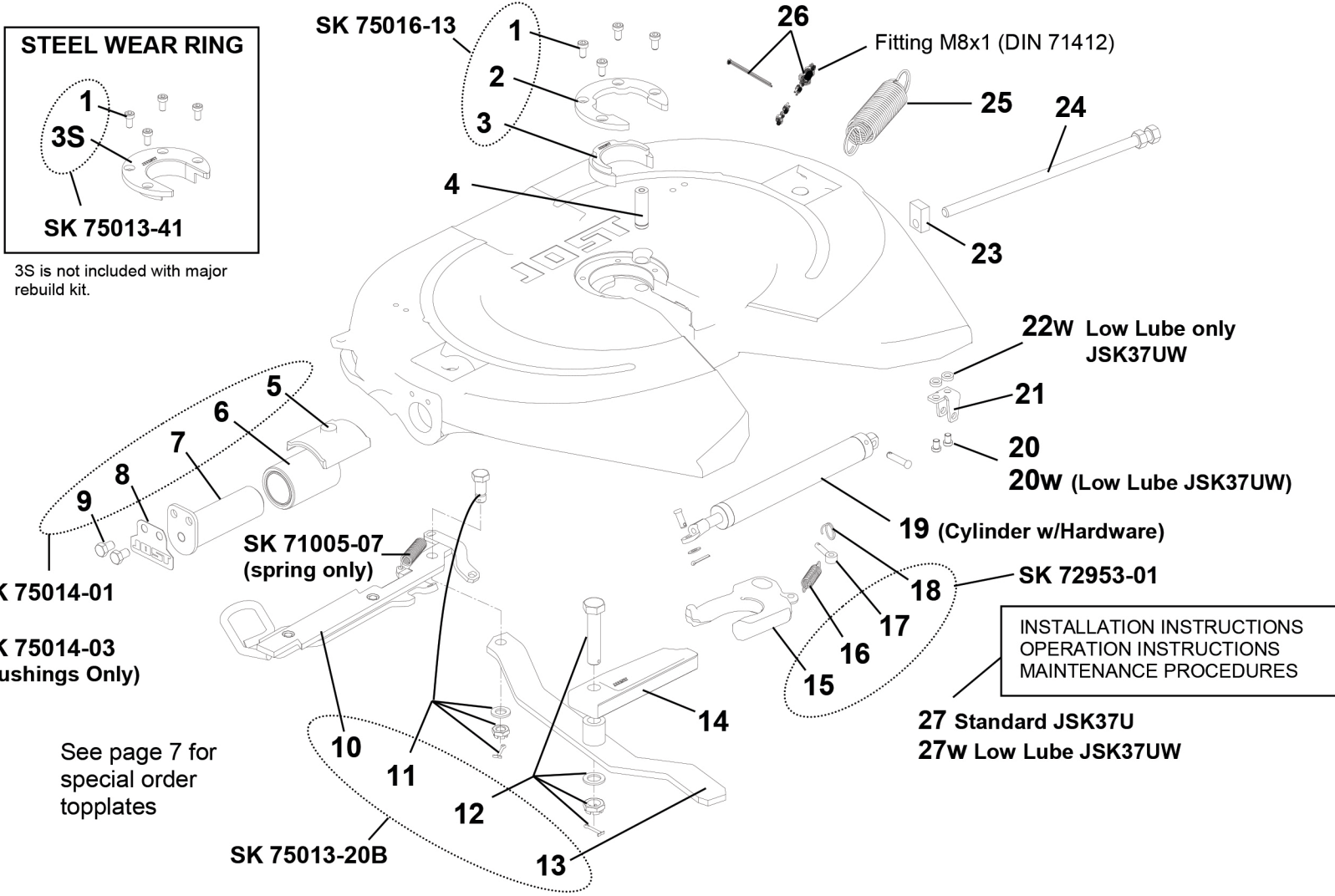
‡ Jost International recommends that our manifold assembly kit be installed with the Air Release because it contains important safety interlock components (see pg. 36)

See page 7 for special order topplates and dimensional information.



Item	Description	Part No.	Item	Description	Part No.
1	Wear ring bolt	NT0000005	12	Pivot bolt assembly	SK 3521-11
2	Wear ring	SK 2105-19	13	Locking bar bolt assembly	SK 2921-02
3	Lock jaw pivot pin	SK 2106-67	14	Lever	SK 2905-127
4	Rubber Bushing	SK 2905-94	15	Locking bar	SK 2905-06
5	Bracket pin – Ø50mm	SK 79011-19	16	Lock jaw	SK 1489L
6	Tab washer	SK 79026-02	17	Lock jaw spring	SK 847
7	5/8-11 x 3/4 lg. Hex bolt	SK 70202-31	18	Cotter pin	NT0000108
8	Plate spring	SK 70993-00	19	Adjusting screw with hex nut	SK 5007403
9	Washer	NT0000040	20	Double tension spring	SK 3105-20
10	Hex bolt	NT0016000	21	Rebuild Procedures	LT SK36N-06
11	Release handle	SK 2905-125	22	Info Pack	SK 75020-13

Major Rebuild Kit		Minor Rebuild Kit (see pg. 34)	
Complete Topplate -L.H. Only Includes Items 1-21 above		Throat and Lock Jaw - L.H. Only Includes Items 1- 3 &16-18	
JOIST Order Number	Weight	JOIST Order Number	Weight
SK 75013-04	34 lbs	SK 75013-05	7 lbs



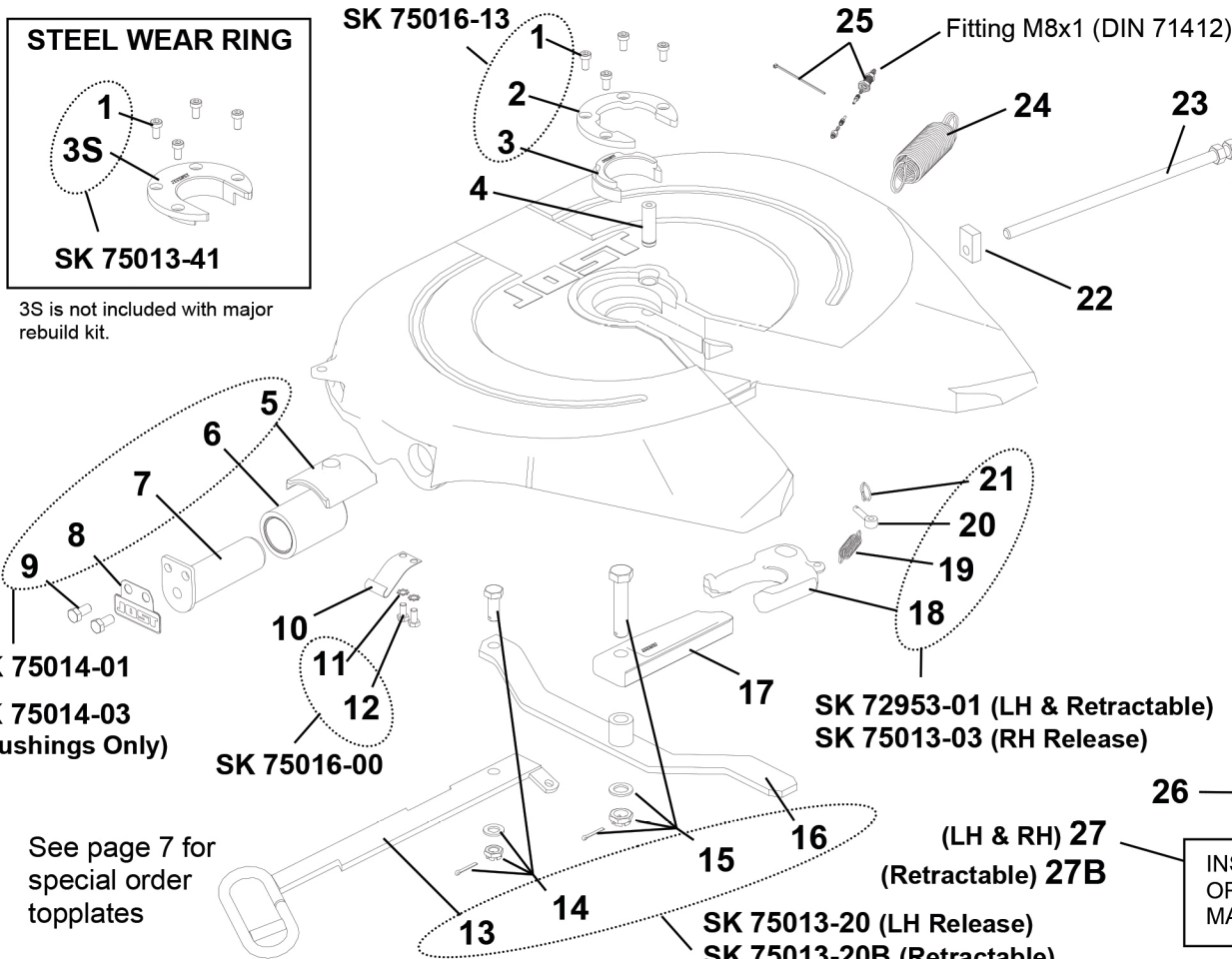
Item	Description	Part No.	Item	Description	Part No.
1	Ring bolt	SK 73121-55	15	LH Lock jaw	SK 1489LZ
2	2-Pc Cushion ring retainer	SK 3105-93	16	Lock jaw spring	SK 847
3	2-Pc Cushion ring insert	SK 3105-92	17	Eye bolt	SK 2106-69
3S	1-Pc Steel wear ring (replaces 2 & 3)	SK 79002-01	18	Ring	SK 2106-70
4	Lock jaw pivot pin	SK 72106-67	19	Air cylinder w/hardware (see pg. 36)	SK 75015-05
5	Collar	SK 3105-95	20	3/8-16 x 1/2 lg. Low hd scr.	SK 70209-00
6	Rubber Bushing	SK 2905-94	20w	3/8-16 x 3/4 lg. Low hd scr. (Low Lube)	SK 73121-55
7	Bracket pin – Ø50mm	SK 79011-03	21	Cylinder mount	SK 79020-05
8	Tab washer	SK 73104-47	22w	Cylinder mount spacer (Low Lube only)	SK 79020-11
9	1/2-13 x 3/4 lg. Hex bolt	SK 70202-15	23	Guide piece	SK 73205-07
10	Retractable handle w/spring	SK 75016-04	24	Adjusting screw with hex nut	SK 5007406
11	Pivot bolt assembly	SK 71513	25	Double tension spring	SK 3105-20
12	Locking bar bolt assembly	SK 73221-01	26	Lubricating kit	SK 3108-02
13	Lever with bushing	SK 3105-140	27	Info pack (standard JSK37U)	SK 75020-09
14	Locking bar	SK 3205-06	27w	Info pack (standard JSK37UW)	SK 75020-12

Major Rebuild Kit			Minor Rebuild Kit (see pg. 34)		
Complete Topplate Includes Items 1-27 above			Throat and Lock Jaw Includes Items 1-4, 15-18 & 26 above		
Topplate	JOST Order Number	Weight	Ring Type	JOST Order Number	Weight
JSK 37UAA, JSK 37USA	SK 75013-16	39 lbs.	2-Pc Cushion	SK 73221-50Z	6 lbs.
JSK 37UWA	SK 75013-19	39 lbs.	1-Pc Steel Ring	SK 75013-40	7 lbs.



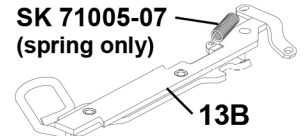
3S is not included with major rebuild kit.

SK 75016-13

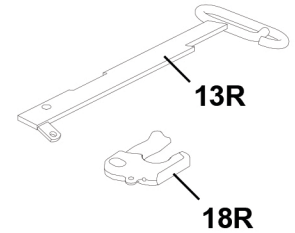


25 Fitting M8x1 (DIN 71412)

**JSK 37UAB or JSK 37USB
RETRACTABLE HANDLE**



**JSK 37UAR or JSK 37USR
RIGHT HAND RELEASE**



SK 75014-01
SK 75014-03
(Bushings Only)

SK 75016-00

SK 72953-01 (LH & Retractable)
SK 75013-03 (RH Release)

26 REBUILD PROCEDURES

See page 7 for special order topplates

See page 3 for air release components

(LH & RH) 27
(Retractable) 27B

INSTALLATION INSTRUCTIONS
OPERATION INSTRUCTIONS
MAINTENANCE PROCEDURES

SK 75013-20 (LH Release)
SK 75013-20B (Retractable)
SK 75013-20C (7" High B-Style Inboard)
SK 75013-20R (RH Release)

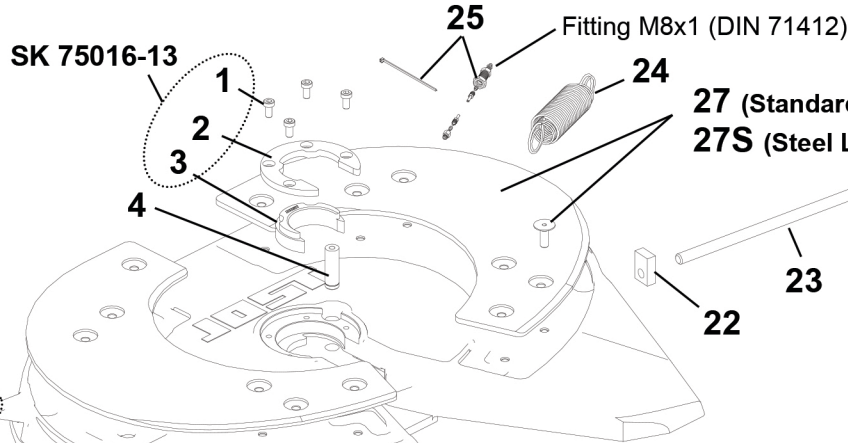
Item	Description	Part No.	Item	Description	Part No.
1	Ring bolt	SK 73121-55	15	Locking bar bolt assembly	SK 73221-01
2	2-Pc Cushion ring retainer	SK 3105-93	16	Lever with bushing	SK 3105-140
3	2-Pc Cushion ring insert	SK 3105-92	16C	LH Lever - 7" B-Style Inboard	SK 79003-00
3S	1-Pc Steel wear ring (replaces 2 & 3)	SK 79002-01	17	Locking bar	SK 3205-06
4	Lock jaw pivot pin	SK 72106-67	18	LH Lock jaw	SK 1489LZ
5	Collar	SK 3105-95	18R	RH Lock jaw	SK 1489Z
6	Bushing	SK 2905-94	19	Lock jaw spring	SK 847
7	Bracket pin - Ø50mm	SK 79011-03	20	Eye bolt	SK 2106-69
8	Tab washer	SK 73104-47	21	Ring	SK 2106-70
9	1/2-13 x 3/4 lg. Hex bolt	SK 70202-15	22	Guide piece	SK 73205-07
10	Plate spring	SK 70993-00	23	Adjusting screw with hex nut	SK 5007406
11	External tooth lock washer	SK 70301-00	24	Double tension spring	SK 3105-20
12	Hex bolt	SK 73121-28B	25	Lubricating kit	SK 3108-02
13	LH Release handle	SK 73105-15	26	Rebuild Procedures	LT JSK37-03
13B	Retractable Handle w/spring	SK 75016-04	27	Info Pack (LH & RH Release)	SK 75020-01
13R	RH Release handle	SK 79009-27	27B	Info Pack (Retractable)	SK 75020-05
14	Pivot bolt assembly	SK 71513			

Major Rebuild Kit			Minor Rebuild Kit (see pg. 34)		
Complete Topplate Includes Items 1-26 above			Throat and Lock Jaw Includes Items 1-4, 18-21 & 25 above		
Model number	Order Number	Weight	Ring Type	Order Number	Weight
JSK 37UAB, JSK 37USB	SK 75013-09	35 lbs.	2-Pc Cushion (LH)	SK 73221-50Z	6 lbs.
JSK 37UAL, JSK 37USL	SK 75013-00	33 lbs.	1-Pc Steel Ring (LH)	SK 75013-40	7 lbs.
JSK 37UAR, JSK 37USR	SK 75013-01	33 lbs.	2-Pc Cushion (RH)	SK 75013-02	6 lbs.

*See part number master on page 1 for complete part number options.

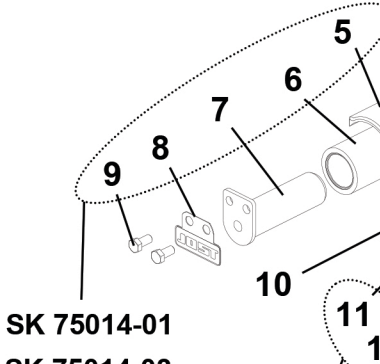
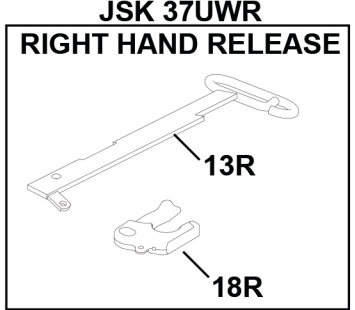


3S is not included with major rebuild kit.



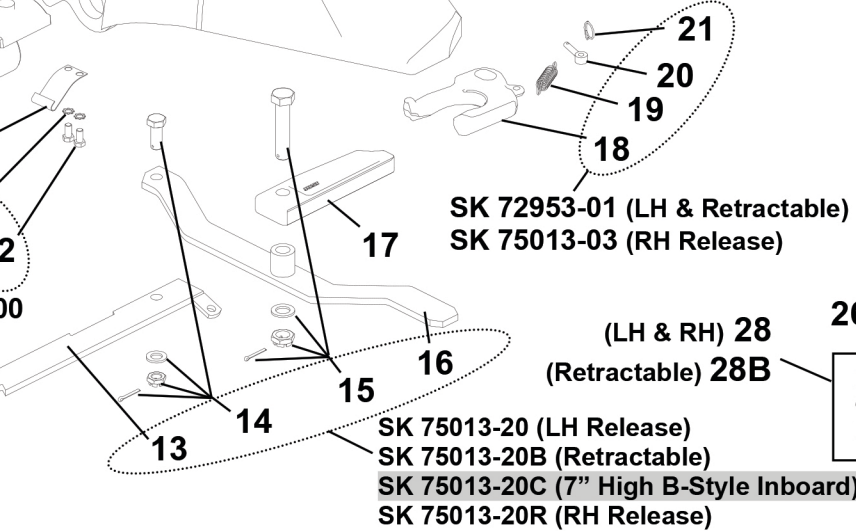
27 (Standard Liner Plates)
27S (Steel Liner Plates)

27 or 27S are not included with minor or major rebuild kits.



See page 7 for special order topplates

See page 3 for air release components



REBUILD PROCEDURES

INSTALLATION INSTRUCTIONS
OPERATION INSTRUCTIONS
MAINTENANCE PROCEDURES

(LH & RH) 28
(Retractable) 28B

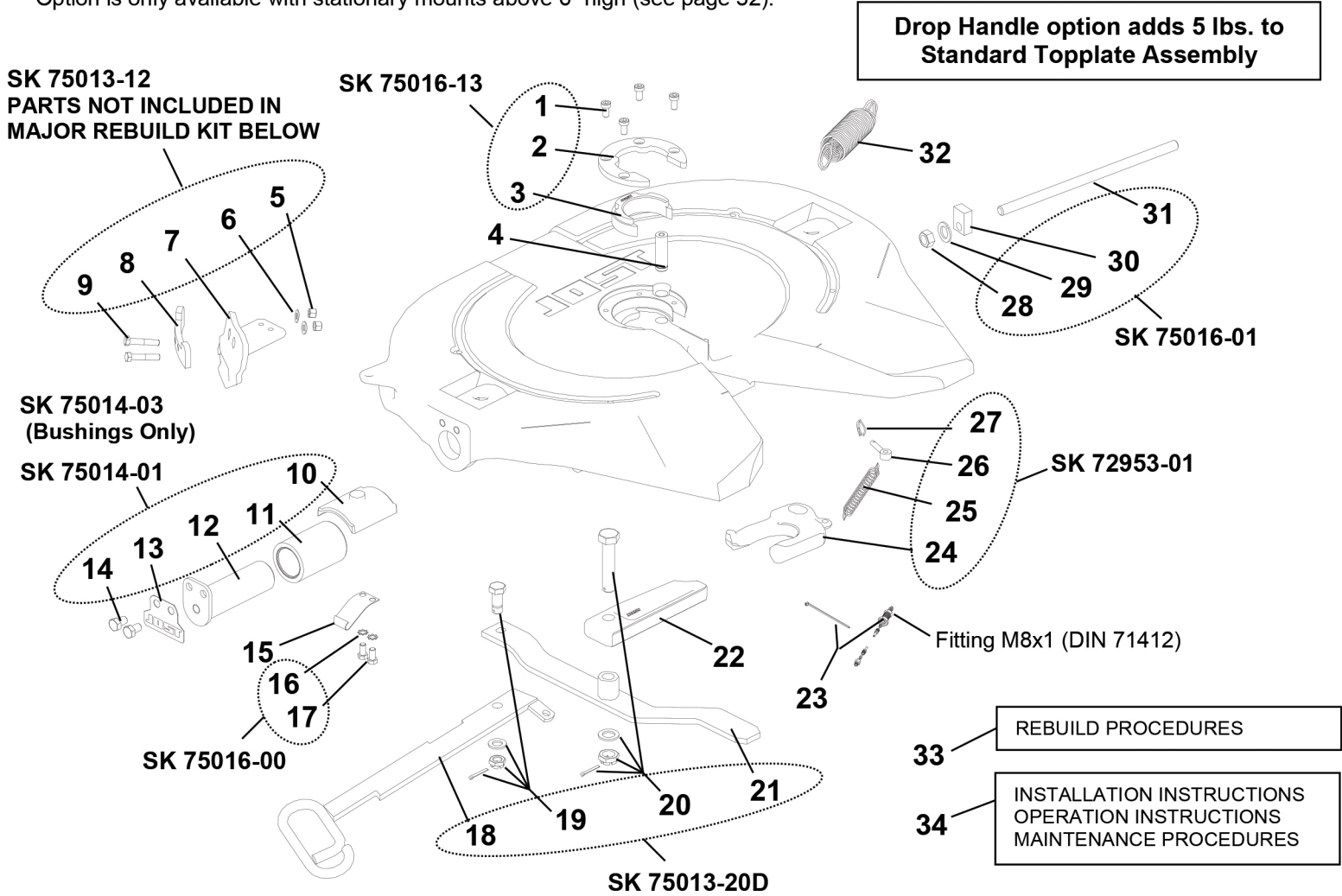
SK 75013-20 (LH Release)
SK 75013-20B (Retractable)
SK 75013-20C (7" High B-Style Inboard)
SK 75013-20R (RH Release)

Item	Description	Part No.	Item	Description	Part No.
1	Ring bolt	SK 73121-55	16	Lever with bushing	SK 3105-140
2	2-Pc Cushion ring retainer	SK 3105-93	16C	LH Lever – 7" B-Style Inboard	SK 79003-00
3	2-PC Cushion ring insert	SK 3105-92	17	Locking bar	SK 3205-06
3S	1-Pc Steel wear ring (replaces 2 & 3)	SK 79002-01	18	LH Lock jaw	SK 1489LZ
4	Lock jaw pivot pin	SK 72106-67	18R	RH Lock jaw	SK 1489Z
5	Collar	SK 3105-95	19	Lock jaw spring	SK 847
6	Bushing	SK 2905-94	20	Eye bolt	SK 2106-69
7	Bracket pin – Ø50mm	SK 79011-03	21	Ring	SK 2106-70
8	Tab washer	SK 73104-47	22	Guide piece	SK 73205-07
9	1/2-13 x 3/4 lg. Hex bolt	SK 70202-15	23	Adjusting screw with hex nut	SK 5007406
10	Plate spring	SK 70993-00	24	Double tension spring	SK 3105-20
11	External tooth lock washer	SK 70301-00	25	Lubricating kit	SK 3108-02
12	Hex bolt	SK 73121-28B	26	Rebuild Procedures	LT JSK37-03
13	LH Release handle	SK 73105-15	27	Liner plates & Bolts (Standard)	SK 3106-003
13B	Retractable Handle w/spring	SK 75016-04	27S	Liner plates & Bolts (Steel)	SK 79004-01
13R	RH Release handle	SK 79009-27	28	Info Pack (LH & RH)	SK 75020-02
14	Pivot bolt assembly	SK 71513	28B	Info Pack (Retractable)	SK 75020-11
15	Locking bar bolt assembly	SK 73221-01			

Major Rebuild Kit			Minor Rebuild Kit (see pg. 34)		
Complete Topplate			Throat and Lock Jaw		
Includes Items 1-26 above			Includes Items 1-4, 18-21 & 25 above		
Model number	Order Number	Weight	Ring Type	Order Number	Weight
JSK 37UWB	SK 75013-09	35 lbs.	2-Pc Cushion (LH)	SK 73221-50Z	6 lbs.
JSK 37UWL	SK 75013-00	33 lbs.	1-Pc Steel Ring (LH)	SK 75013-40	7 lbs.
JSK 37UWR	SK 75013-01	33 lbs.	2-Pc Cushion (RH)	SK 75013-02	6 lbs.

*See part number master on page 1 for complete part number options.

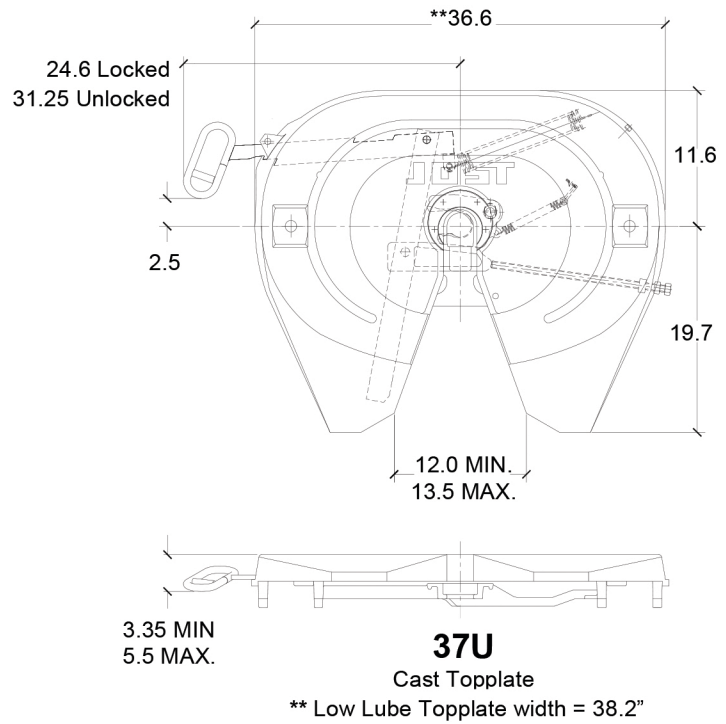
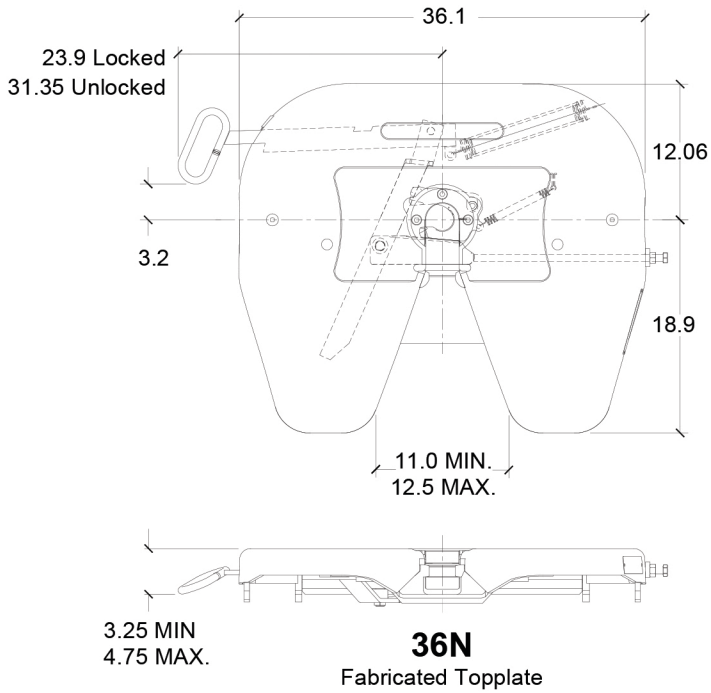
Release handle lowered and Adjustment Screw located under the Topplate to avoid Kingpin damage when a miscouple occurs.
Option is only available with stationary mounts above 6" high (see page 32).



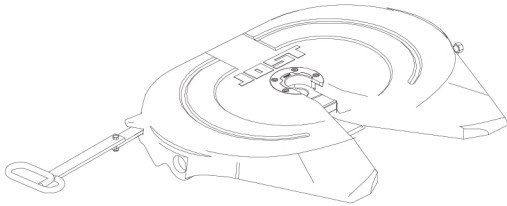
Item	Description	Part No.	Item	Description	Part No.
1	Cushion ring bolt	SK 73121-55	18	LH Release handle	SK 73105-15
2	Retainer	SK 3105-93	19	Pivot bolt assembly	SK 71513
3	Cushion ring insert	SK 3105-92	20	Locking bar bolt assembly	SK 73221-01
4	Lock jaw pivot pin	SK 72106-67	21	LH Drop handle lever w/bushing	SK 79024-03
5	3/8-16 Lock nut	SK 70401-02	22	Locking bar	SK 3205-06
6	Flat washer	SK 70302-05	23	Lubricating kit	SK 3108-02
7	Drop handle guide	SK 79024-02	24	LH Lock jaw	SK 1489LZ
8	Cover plate	SK 79024-01	25	Lock jaw spring	SK 847
9	3/8-16 x 2" lg. Hex bolt	SK 70202-14	26	Eye bolt	SK 2106-69
10	Collar	SK 3105-95	27	Ring	SK 2106-70
11	Bushing	SK 2905-94	28	Jam nut	NT 0000201
12	Bracket pin – Ø50mm	SK 79011-03	29	Lock Washer	SK 70303-63
13	Tab washer	SK 73104-47	30	Guide piece	SK 73205-07
14	1/2-13 x 3/4 lg. Hex bolt	SK 70202-15	31	Internal adjusting screw	SK 79010-02
15	Plate spring	SK 70993-01	32	Double tension spring	SK 3105-20
16	External tooth lock washer	SK 70301-00	33	Rebuild Procedures	LT JSK37-03
17	Hex bolt	SK 73121-28B	34	Info Pack	SK 75020-03

Major Rebuild Kit		Minor Rebuild Kit (see pg. 34)	
Complete Rebuild Kit Includes Items 1-4 & 10-33 above		Cushion and Lock Jaw Includes Items 1-4, 23-27 above	
JOIST Order Number	Weight	JOIST Order Number	Weight
SK 75013-11	33 lbs.	SK 73221-50Z	6 lbs.

TOPPLATE DIMENSIONAL INFORMATION



SPECIAL ORDER TOPPLATES

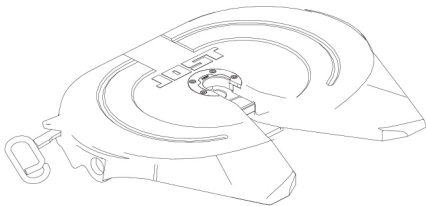


Release Handle extended to improve accessibility when using fenders.

Option adds 2 lbs. to standard weights.

Extended Handle		
JOIST Order Number*	Topplate Style	Crossover to Standard Wheel
JSK 37001	Standard LH Release	JSK 37USL
JSK 37002	Low Lube LH Release	JSK 37UWL
JSK 37003	"H" Style Replacement	JSK 37HSL

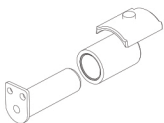
Option is available with all mounting configurations.



Adjustment Screw located under the Topplate to hide from view and avoid Kingpin damage when a miscouple occurs.

Internal Adjustment		
JOIST Order Number*	Topplate Style	Crossover to Standard Wheel
JSK 37015	Standard LH Release	JSK 37USL
JSK 37020	Standard Air Release	JSK 37USA
JSK 37017	"H" Style Replacement	JSK 37HSL

Option is available with all mounting configurations.



*Pins, bushings & collars not included when ordering the topplate only.

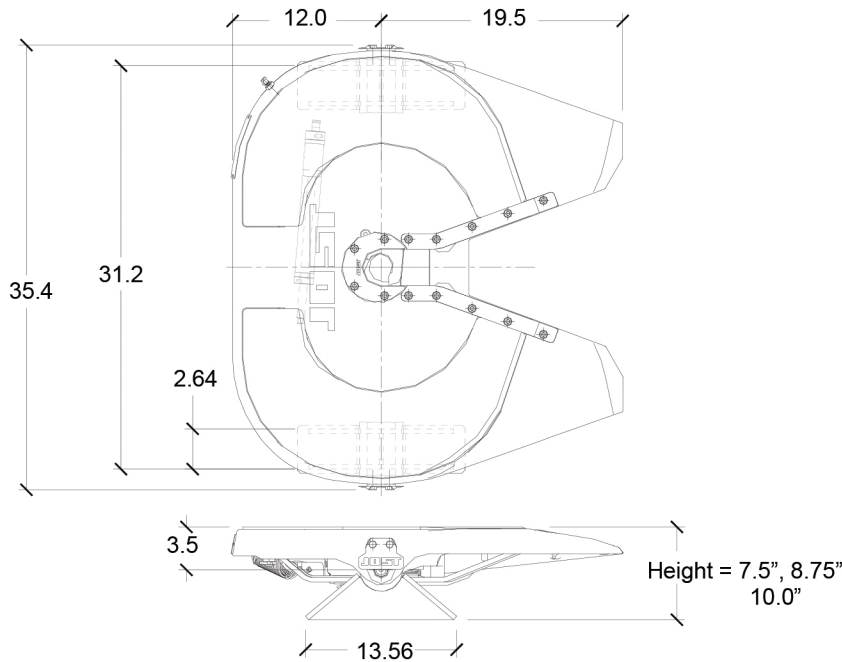
*Order numbers listed are for topplate assemblies only. To order fifth wheel assemblies add the desired mounting configuration number to the end of the topplate assembly (Example: JSK 37001-A7PX24).

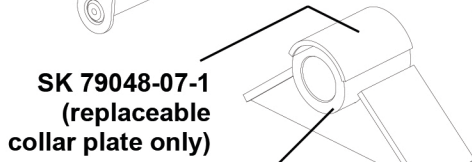
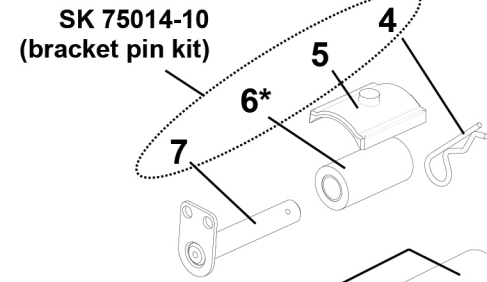
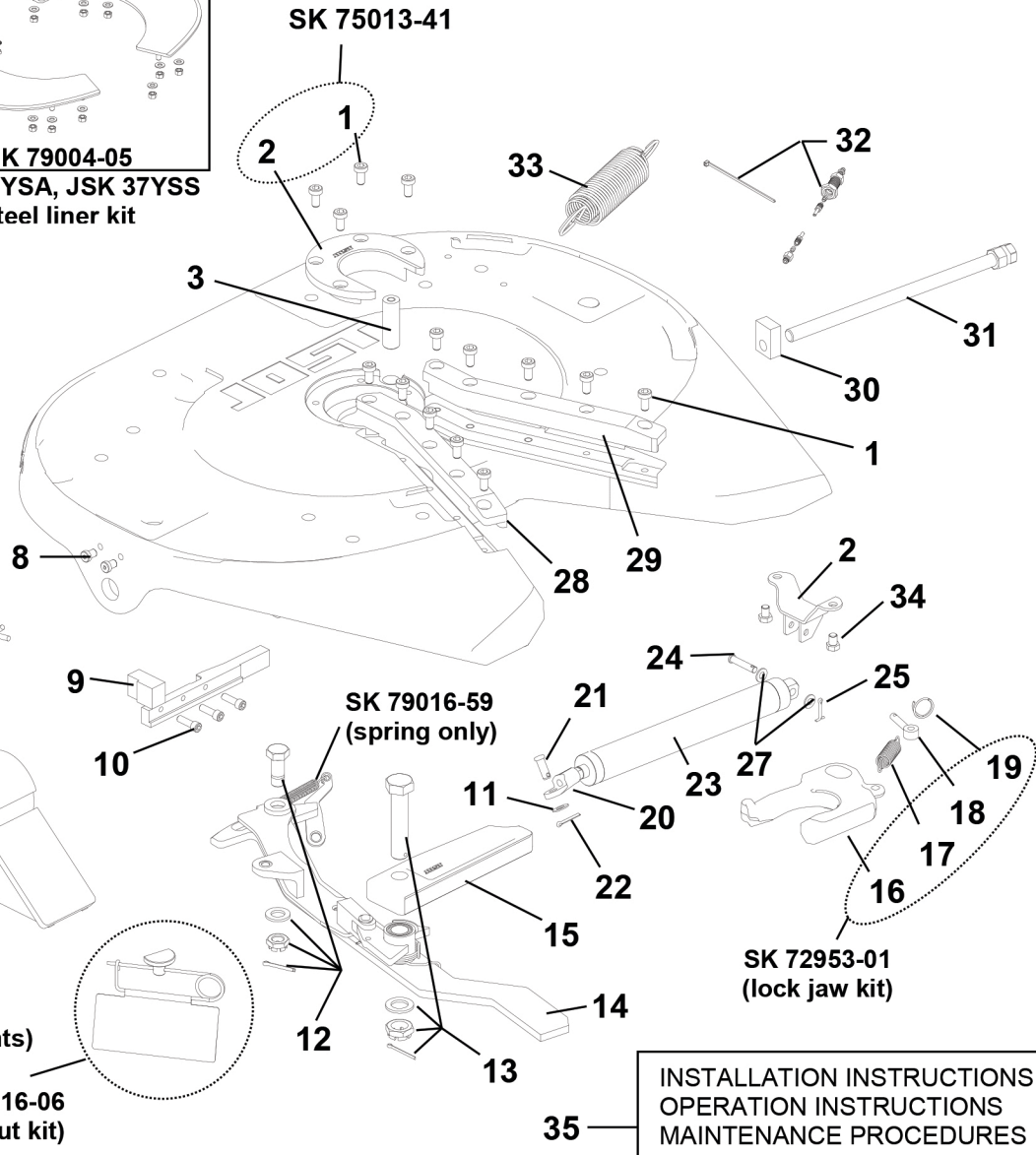
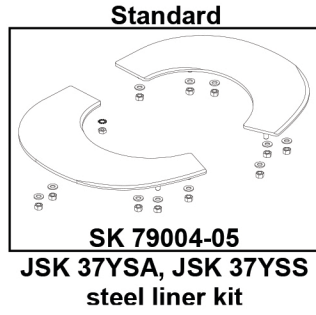
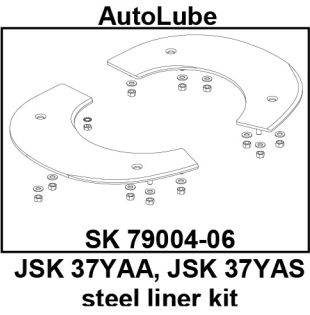
PART NUMBER MASTER

Fifth Wheel Product Line Code	Topplate Style	Code	Topplate Lube Type	Code	Topplate Release Type	Code	Bracket Style	Code	Fifth Wheel Height	Code	JOST Model Number
JSK	Cast Topplate	37Y	Auto Lube	A	Air Release	A	Bracket Mount	YM	7.5"	8X	JSK 37YAA-YM8X
									8.75"	9X	JSK 37YAA-YM9X
									10"	10X	JSK 37YAA-YM10X
							Replacement	H	N/A	-	JSK 37YAA-H
					Air Release w/Safety Lockout	S	Bracket Mount	YM	7.5"	8X	JSK 37YAS-YM8X
									8.75"	9X	JSK 37YAS-YM9X
			10"	10X					JSK 37YAS-YM10X		
					Replacement	H	N/A	-	JSK 37YAS-H		
			Standard	S	Air Release	A	Bracket Mount	YM	7.5"	8X	JSK 37YSA-YM8X
									8.75"	9X	JSK 37YSA-YM9X
									10"	10X	JSK 37YSA-YM10X
											*Replacement
					Air Release w/Safety Lockout	S	Bracket Mount	YM	7.5"	8X	JSK 37YSS-YM8X
									8.75"	9X	JSK 37YSS-YM9X
									10"	10X	JSK 37YSS-YM10X
											*Replacement

* Replacement model numbers are designed to fit over the existing mounting brackets. These include bracket pins only. They do not include mounting brackets or bushings.

DIMENSIONAL INFORMATION





YM8X (7.50" F.W. Height)
YM9X (8.75" F.W. Height)
YM10X (10.00" F.W. Height)
(SK-79048-07-1 included with YM mounts)

SK 75016-06
(safety lockout kit)

INSTALLATION INSTRUCTIONS
OPERATION INSTRUCTIONS
MAINTENANCE PROCEDURES

* Bushings are for Jost mounting brackets only.

Item	Description	Part No.	Item	Description	Part No.	Item	Description	Part No.
1	Ring bolt	SK 73121-55	13	Locking bar bolt kit	SK 73221-01	25	Cotter pin	SK 70101-03
2	1-Pc Wear Ring	SK 79002-01	14	Release arm asm	SK 79016-62	26	Cylinder bracket	SK 79016-71
3	Lock jaw pivot pin	SK 72106-67	15	Locking bar	SK 79053-00	27	Washer	SK 70302-03
4	Hair pin	SK 70107-01	16	LH Lock jaw	SK 1489LZ	28	LH Throat guide	SK 79052-02
5	Collar	SK 73105-95	17	Lock jaw spring	SK 847	29	RH Throat guide	SK 79052-01
*6	Bushing (Jost Only)	SK 79016-75	18	Eye bolt	SK 2106-69	30	Guide piece	SK 73205-07
7	Bracket pin - Ø1-1/8"	SK 79016-76	19	Ring	SK 2106-70	31	Adjusting screw w/nut	SK 79010-05
8	Bracket pin bolt	SK 79016-79	20	Cylinder clevis	SK 79020-06	32	Lubricating kit	SK 3108-02
9	Lock/Unlock plate	SK 79016-22	21	Clevis pin	SK 70102-00	33	Double tension spring	SK 3105-20
10	5/16-18 SHCS	SK 70204-08	22	Cotter pin	SK 70101-04	34	3/8-16 Hex Bolt	SK 70202-32
11	Flat Washer	SK 70302-05	23	Cylinder	SK 79020-04	35	Info Pack	SK 75020-21
12	Pivot bolt kit	SK 71513	24	Clevis pin	SK 70102-08			

Major Rebuild Kit			Minor Rebuild Kit	
Complete Rebuild Kit			Throat and Lock Jaw	
Includes Items 1-34 above with steel liner kit			Includes Items 1-3, 16-19, 28-29 & 32	
Model Number	JOIST Order Number	Weight	JOIST Order Number	Weight
JSK 37YAA, JSK 37YAS	SK 75013-34	53 lbs	SK 75013-24	16 lbs
JSK 37YSA, JSK 37YSS	SK 75013-23	53 lbs		

PART NUMBER MASTER

Fifth Wheel Product Line Code	Topplate Style	Code	Topplate Lube Type	Code	Topplate Release Type	Code	JOST Model Number†	Weight
JSK	Field Replacement	37F	Auto Lube	A	Left Hand Release	L	JSK 37FAL*	240 lbs.
			Auto Lube w/Steel Wear Ring	D			JSK 37FDL*	241 lbs.
			Standard	S			JSK 37FSL*	240 lbs.
			Standard w/Steel Wear Ring	B			JSK 37FBL*	241 lbs.
	Holland™ Replacement	37H	Auto Lube	A	Left Hand Release	L	JSK 37HAL**	255 lbs.
					‡Air Release	A	JSK 37HAA**	261 lbs.
			Auto Lube w/Steel Wear Ring	D	Left Hand Release	L	JSK 37HDL**	256 lbs.
					‡Air Release	A	JSK 37HDA**	262 lbs.
			Standard	S	Left Hand Release	L	JSK 37HSL**	255 lbs.
					‡Air Release	A	JSK 37HSA**	261 lbs.
			Standard w/Steel Wear Ring	B	Left Hand Release	L	JSK 37HBL**	256 lbs.
					‡Air Release	A	JSK 37HBA**	262 lbs.

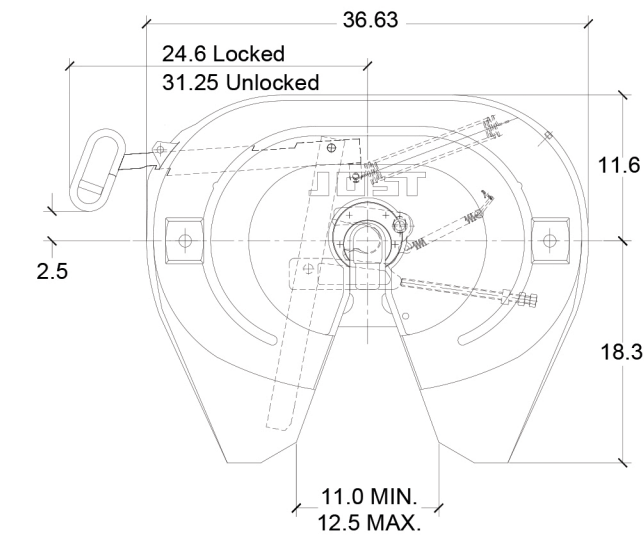
* The JSK37F topplate increases fifth wheel height by 5/16".

** The JSK37H topplate increases fifth wheel height by 3/4".

† Model numbers are designed to fit over the existing mounting brackets. These include bracket pins only. They do not include mounting brackets or bushings.

‡ Jost International recommends that our manifold assembly kit be installed with the Air Release because it contains important safety interlock components (see pg. 36)

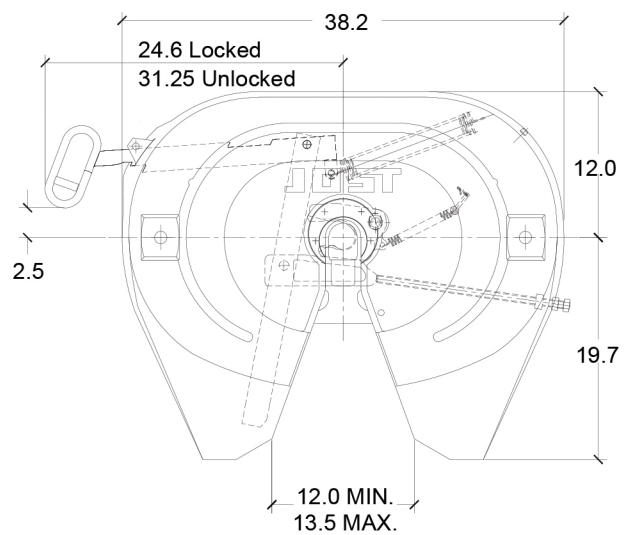
DIMENSIONAL INFORMATION



3.35 MIN
5.5 MAX.

37F

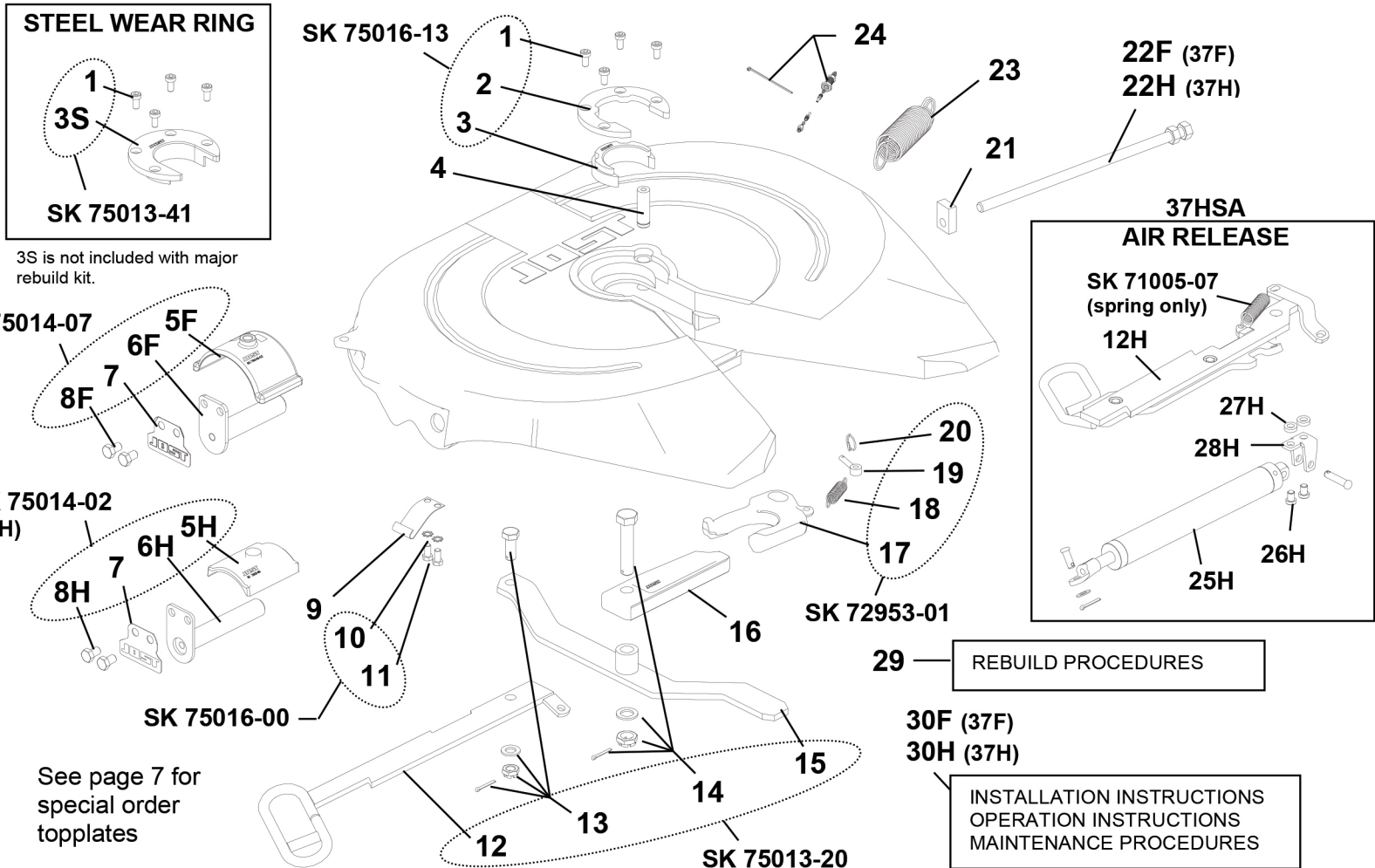
Field Replacement Cast Topplate*



3.35 MIN
5.5 MAX.

37H

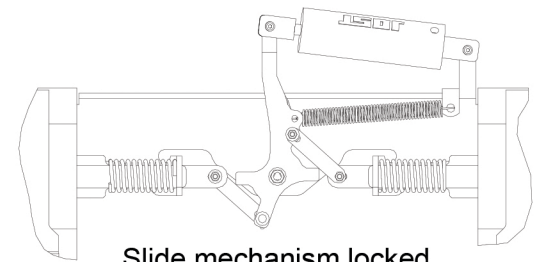
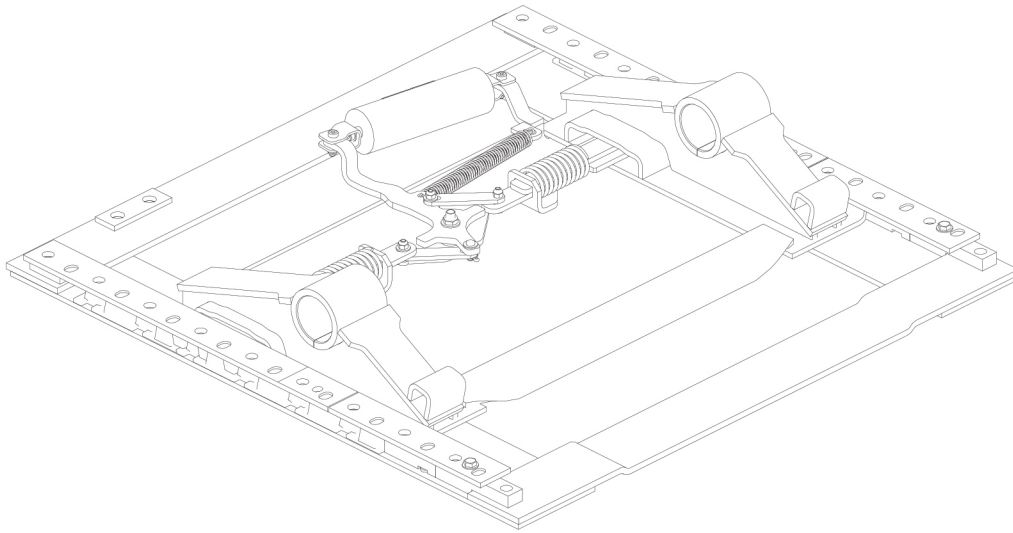
Holland™ Replacement Cast Topplate**



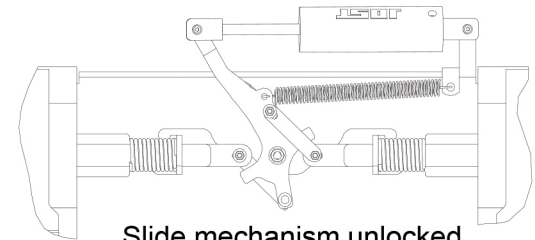
See page 7 for special order topplates

Item	Description	Part No.	Item	Description	Part No.
1	Ring bolt	SK 73121-55	15	Lever with bushing	SK 3105-140
2	2-Pc Cushion ring retainer	SK 3105-93	16	Locking bar	SK 3205-06
3	2-Pc Cushion ring insert	SK 3105-92	17	Lock jaw	SK 1489LZ
3S	1-Pc Steel wear ring (replaces 2 & 3)	SK 79002-01	18	Lock jaw spring	SK 847
4	Lock jaw pivot pin	SK 72106-67	19	Eye bolt	SK 2106-69
5F	Collar (37F)	SK 79048-02	20	Ring	SK 2106-70
5H	Collar (37H)	SK 73105-95	21	Guide piece	SK 73205-07
6F	Bracket Pin (37F) – Ø1-1/4"	SK 79011-12	22F	Adjusting screw (37F)	SK 79010-07
6H	Bracket Pin (37H) – Ø1-1/8"	SK 73104-05	22H	Adjusting screw (37H)	SK 5007406
7	Tab washer	SK 73104-47	23	Double tension spring	SK 3105-20
8F	1/2-13 x 3/4 lg. Hex bolt (37F)	SK 70202-15	24	Lubricating kit	SK 3108-02
8H	3/8-16 x 3/4 lg. Hex bolt (37H)	SK 73121-28B	25H	Air cylinder w/hardware (37H*A)	SK 75015-05
9	Plate spring	SK 70993-00	26H	3/8-16 x 3/4 lg. Low hd scr. (37H*A)	SK 73121-55
10	External tooth lock washer	SK 70301-00	27H	Cylinder mount spacer (37H*A)	SK 79020-11
11	Hex bolt	SK 70202-09	28H	Cylinder mount (37H*A)	SK 79020-05
12	Release handle	SK 73105-15	29	Rebuild Procedures	LT JSK37-03
12H	Retractable handle w/spring	SK 75016-04	30F	Info pack (37F)	SK 75020-22
13	Pivot bolt assembly	SK 71513	30H	Info pack (37H*L)	SK 75020-00
14	Locking bar bolt assembly	SK 73221-01		Info pack (37H*A)	SK 75020-14

Major Rebuild Kit			Minor Rebuild Kit (see pg. 34)		
Complete Rebuild Kit			Throat and Lock Jaw		
Includes Items 1-25 above			Includes Items 1-4, 17-20 & 24 above		
Topplate	JOIST Order Number	Weight	Ring Type	JOIST Order Number	Weight
37FSL, 37FAL	SK 75013-14	33 lbs.	2-Pc Cushion	SK 73221-50Z	6 lbs.
37HSL, 37HAL	SK 73221-52Z	33 lbs.			
37HSA, 37HAA	SK 75013-18	39 lbs.	1-Pc Steel	SK 75013-40	7 lbs.



Slide mechanism locked



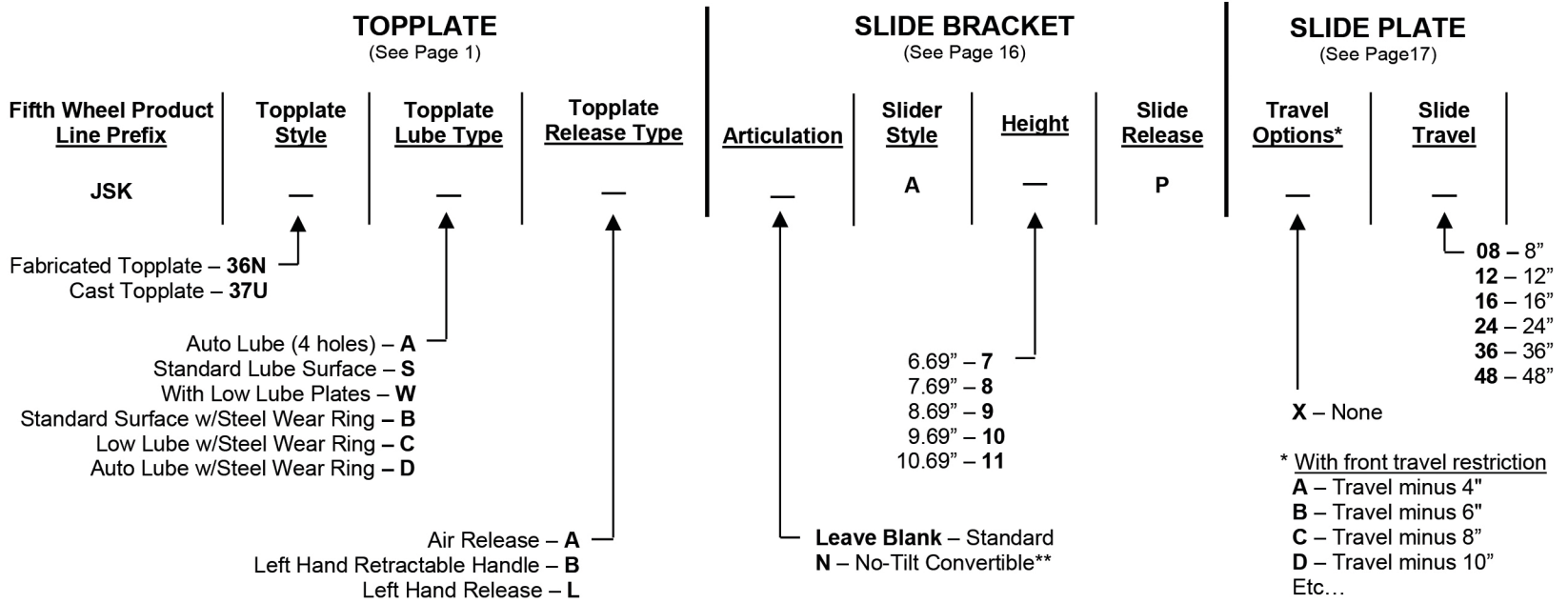
Slide mechanism unlocked

CAPACITY:

50,000 maximum vertical load.
150,000 maximum drawbar pull.

FEATURES:

- **MADE IN U.S.A. – BY **JOST****
- Allows adjustment for vehicle combination lengths and tractor axle load distribution.
- Lightweight high strength low alloy construction that allows you to maximize payloads.
- Maintenance free construction allows for maximum equipment utilization.
- Slide travel is adjustable in 2” increments for precise positioning of fifth wheel.
- Release mechanism features an in-line secondary lock, assures positive, safe locking.
- Available in popular heights and slide travels.
- Automatic spring loaded adjustment of locking plungers.
- Composite cylinder and rod for long trouble free life.
- Maintenance-free pivot eliminates routine lubrication requirements.
- Upshock cushion reduces impact and provides torsional relief between tractor and trailer.

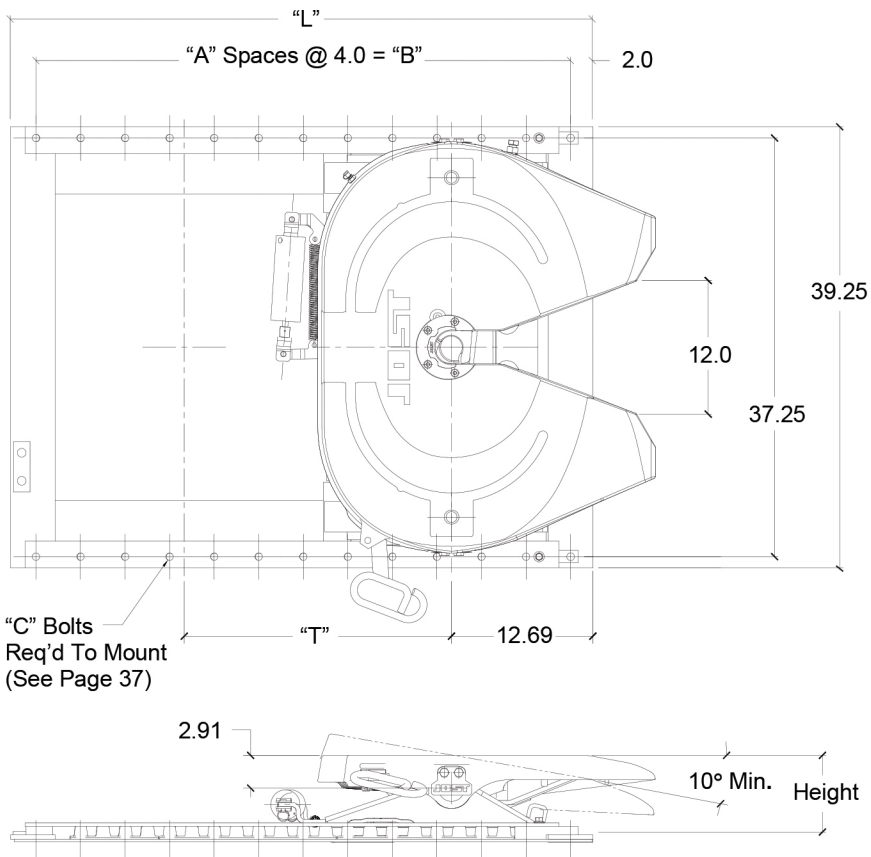


** No-Tilt Convertible option is not available with 7", 10" or 11" height Slide Brackets. See page 33 for details.

Example: JSK 37USL-A7PX24

*Travel options restrict the forward using a removable stop. See page 17 for kit details.

DIMENSIONAL INFORMATION



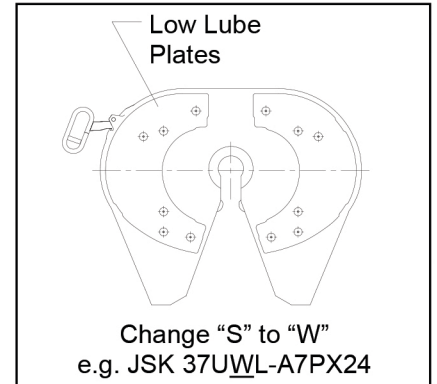
Dim "T" Travel	Dim "L" Length	Bolt Pattern		
		"A"	"B"	"C"
8"	36 1/4"	8	32"	18
12"	40 1/4"	9	36"	20
16"	44 1/4"	10	40"	22
24"	52 1/4"	12	48"	26
36"	64 1/4"	15	60"	32
48"	76 1/4"	18	72"	38

"T" = Slide Travel
 "L" = Overall Length

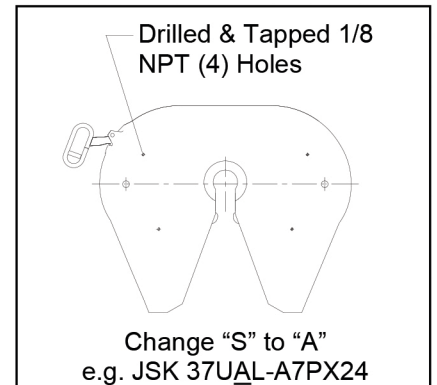
Mounting angles not included
 See Page 38 for available mounting angles

Travel	Height	Weight	JOIST Model Number †
8"	6.69	452 lbs.	JSK 37USL-A7PX08
	7.69	458 lbs.	JSK 37USL-A8PX08
	8.69	465 lbs.	JSK 37USL-A9PX08
	9.69	485 lbs.	JSK 37USL-A10PX08
	10.69	497 lbs.	JSK 37USL-A11PX08
12"	6.69	457 lbs.	JSK 37USL-A7PX12
	7.69	463 lbs.	JSK 37USL-A8PX12
	8.69	470 lbs.	JSK 37USL-A9PX12
	9.69	490 lbs.	JSK 37USL-A10PX12
	10.69	502 lbs.	JSK 37USL-A11PX12
16"	6.69	463 lbs.	JSK 37USL-A7PX16
	7.69	469 lbs.	JSK 37USL-A8PX16
	8.69	476 lbs.	JSK 37USL-A9PX16
	9.69	496 lbs.	JSK 37USL-A10PX16
	10.69	508 lbs.	JSK 37USL-A11PX16
24"	6.69	477 lbs.	JSK 37USL-A7PX24
	7.69	483 lbs.	JSK 37USL-A8PX24
	8.69	490 lbs.	JSK 37USL-A9PX24
	9.69	510 lbs.	JSK 37USL-A10PX24
	10.69	522 lbs.	JSK 37USL-A11PX24
36"	6.69	497 lbs.	JSK 37USL-A7PX36
	7.69	503 lbs.	JSK 37USL-A8PX36
	8.69	510 lbs.	JSK 37USL-A9PX36
	9.69	530 lbs.	JSK 37USL-A10PX36
	10.69	542 lbs.	JSK 37USL-A11PX36
48"	6.69	517 lbs.	JSK 37USL-A7PX48
	7.69	523 lbs.	JSK 37USL-A8PX48
	8.69	530 lbs.	JSK 37USL-A9PX48
	9.69	550 lbs.	JSK 37USL-A10PX48
	10.69	562 lbs.	JSK 37USL-A11PX48

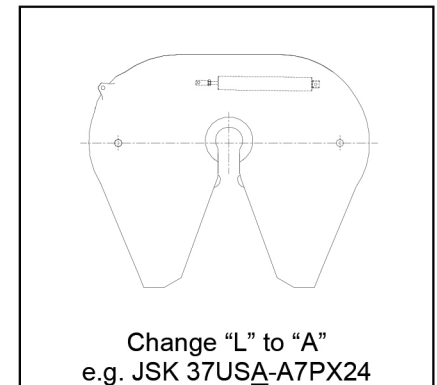
Low Lube Plates



Auto Lube

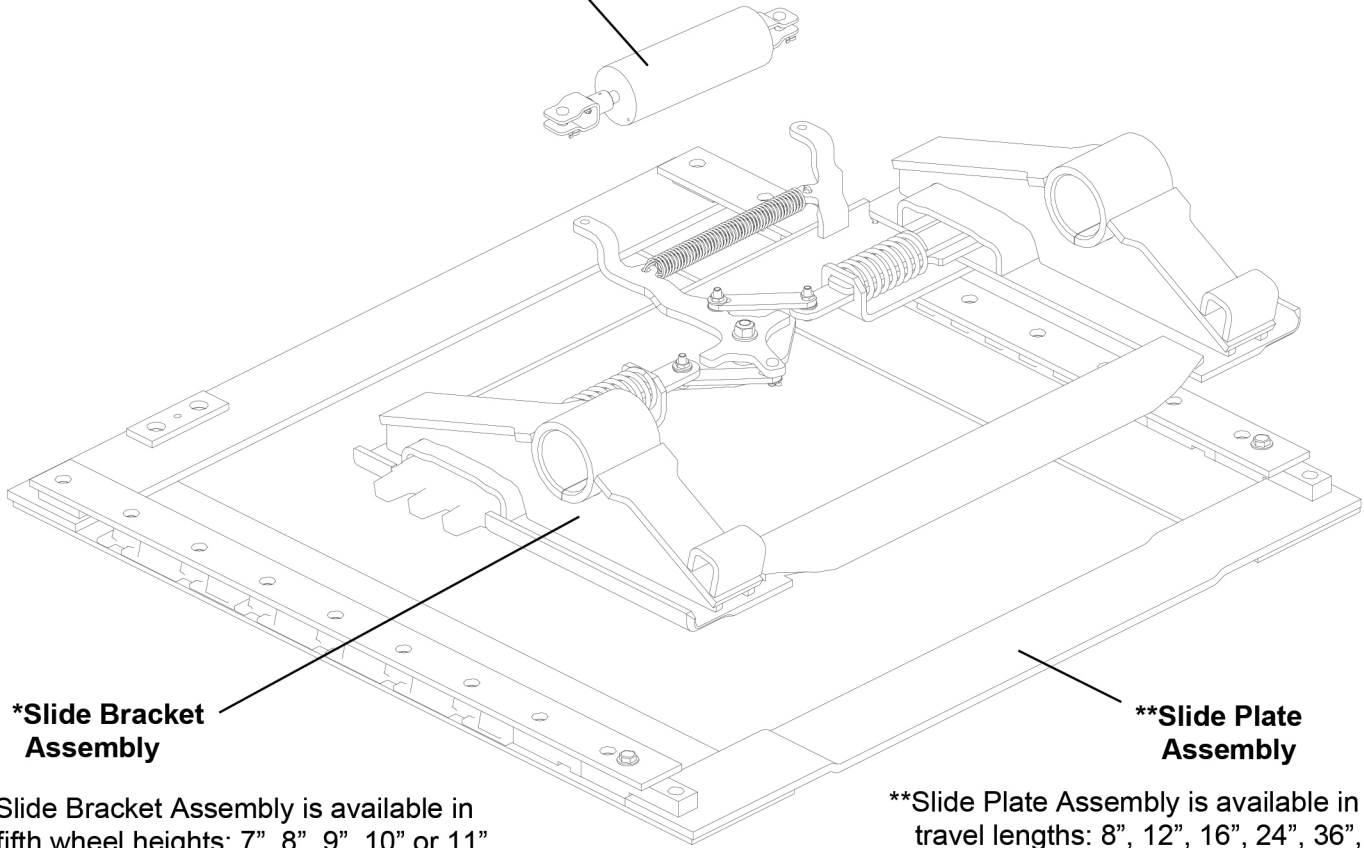


Air Release



† Model numbers shown have cast topplate, left hand release and air slide.

Air cylinder not included, order
SK 75015-03 (see pg. 36)



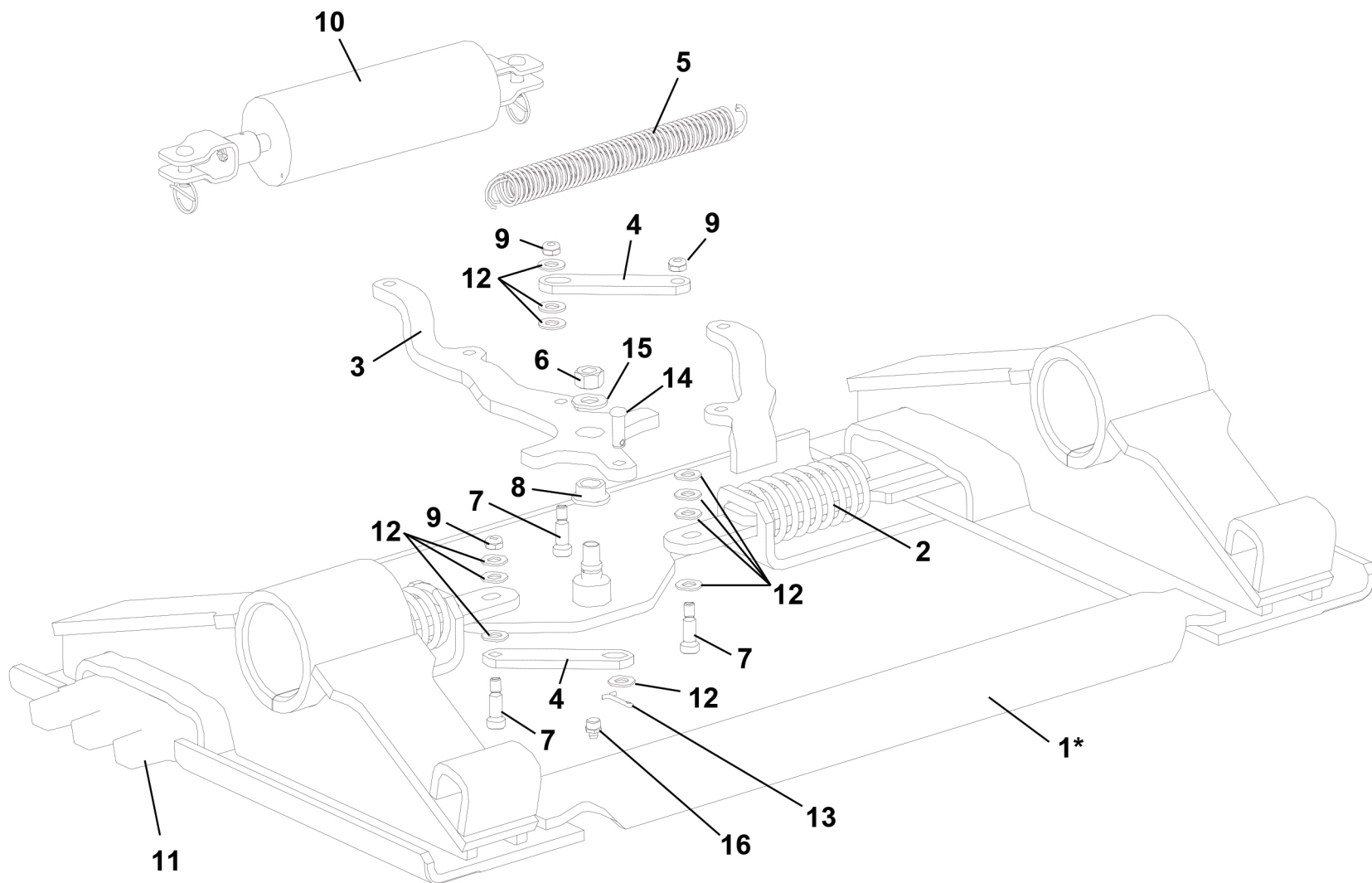
*Slide Bracket Assembly is available in fifth wheel heights: 7", 8", 9", 10" or 11". See chart below for order numbers and see page 16 for details.

**Slide Plate Assembly is available in standard travel lengths: 8", 12", 16", 24", 36", 48". See chart below for order numbers and see page 17 for details.

To Order Slide Bracket Assembly Only		
JOIST Order Number	Height	Weight
A7P	7" F.W. Height	103 lbs.
A8P	8" F.W. Height	109 lbs.
A9P	9" F.W. Height	116 lbs.
A10P	10" F.W. Height	136 lbs.
A11P	11" F.W. Height	148 lbs.

To Order Slide Plate Assembly Only		
JOIST Order Number	Travel	Weight
X08	8" Travel	92 lbs.
X12	12" Travel	100 lbs.
X16	16" Travel	106 lbs.
X24	24" Travel	120 lbs.
X36	36" Travel	140 lbs.
X48	48" Travel	160 lbs.

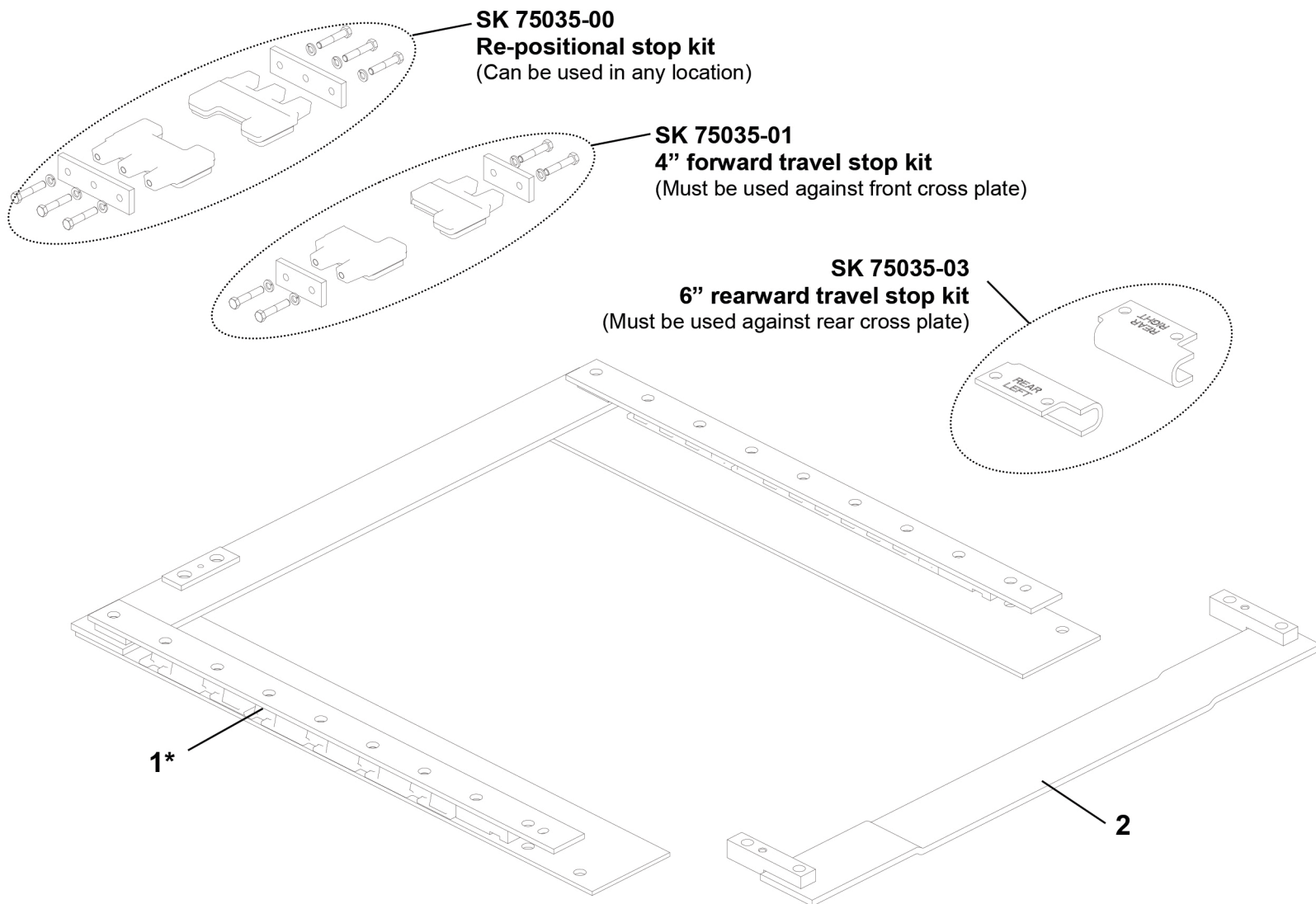
Slide Bracket Assembly



Item	Description	Part No.	Item	Description	Part No.
1	Slide bracket*	SK 77001-xx	9	5/16-18 Lock Nut	SK 70402-01
2	Spring	SK 77293-00	10	Cylinder Assembly (see pg 36)	SK 75015-03
3	Pivot Arm	SK 77289-00	11	Plunger	SK 77007-01
4	Pivot Linkage	SK 77290-00	12	Flat Washer	SK 70302-05
5	Double Coil Spring	V2026100	13	Cotter Pin	SK 70101-03
6	1/2-13 Lock Nut	SK 70401-03	14	3/8 Dia. Clevis Pin	SK 70102-00
7	3/8 Dia.x 3/4 Shoulder Screw	SK 70201-09	15	Flat Washer	SK 70302-02
8	Flanged Bearing	SK 77292-00	16	Pivot Post Grease Fitting	SK 71013-12

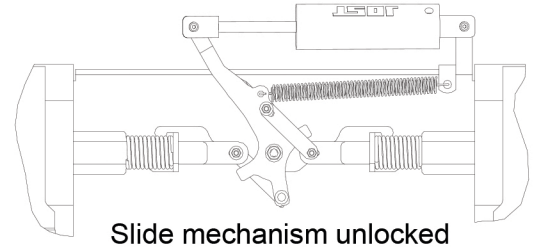
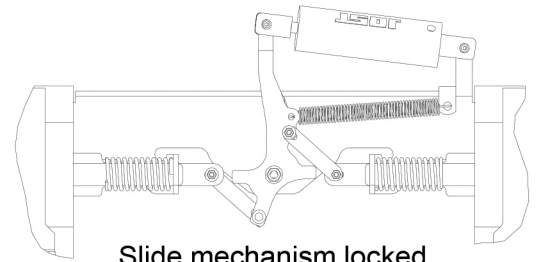
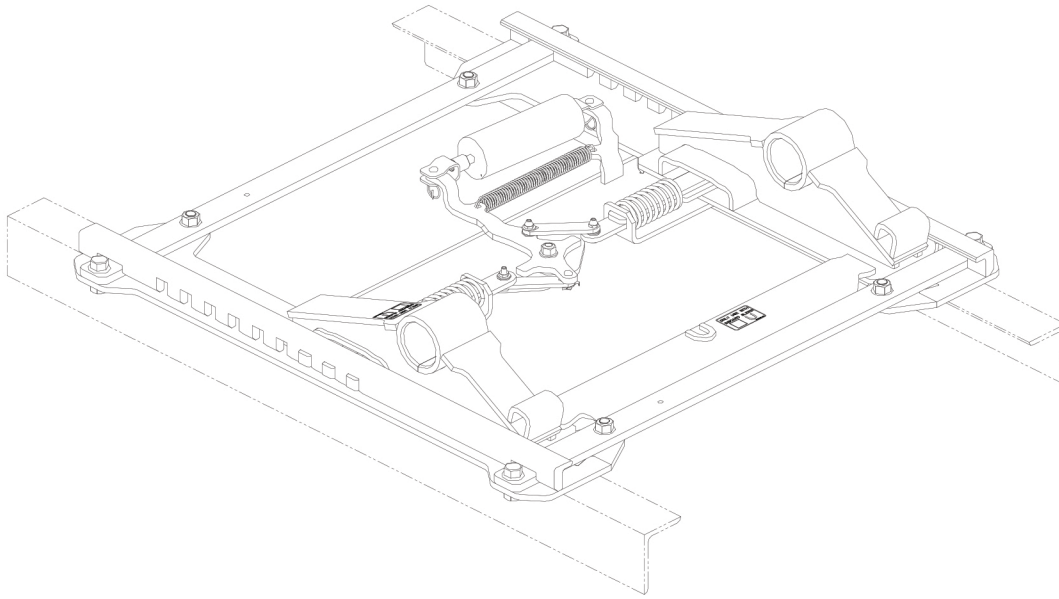
*Item #1 available in fifth wheel heights: 7", 8", 9", 10" or 11". Replace XX in part number with appropriate height (e.g. SK 77001-08).

Slide Plate Assembly



Item	Description	Part No.	Item	Description	Part No.
1	Slider weldment*	SK 77037-xx	2	Rear Stop	SK 77041

*Item #1 available in travel lengths:
8", 12", 16", 24", 36" & 48". Replace XX in part number with
appropriate length (e.g. SK 77037-12).

**CAPACITY:**

50,000 maximum vertical load.
150,000 maximum drawbar pull.

FEATURES:

- **MADE IN U.S.A. – BY **JOST****
- Allows adjustment for vehicle combination lengths and tractor axle load distribution.
- Available with mounting angles attached for common frame widths.
- Lightweight high strength low alloy construction that allows you to maximize payloads.
- Maintenance free construction allows for maximum equipment utilization.
- Slide travel is adjustable for precise positioning of fifth wheel.
- Release mechanism features an in-line secondary lock, assures positive, safe locking.
- Available in popular heights and slide travels.
- Automatic spring-loaded adjustment of locking plungers.
- Composite cylinder and rod for long trouble free life.
- Maintenance-free pivot eliminates routine lubrication requirements.
- Upshock cushion reduces impact and provides torsional relief between tractor and trailer.

TOPPLATE (See Page 1)

SLIDE BRACKET (See Page 22)

SLIDE RAIL (See Page 23)

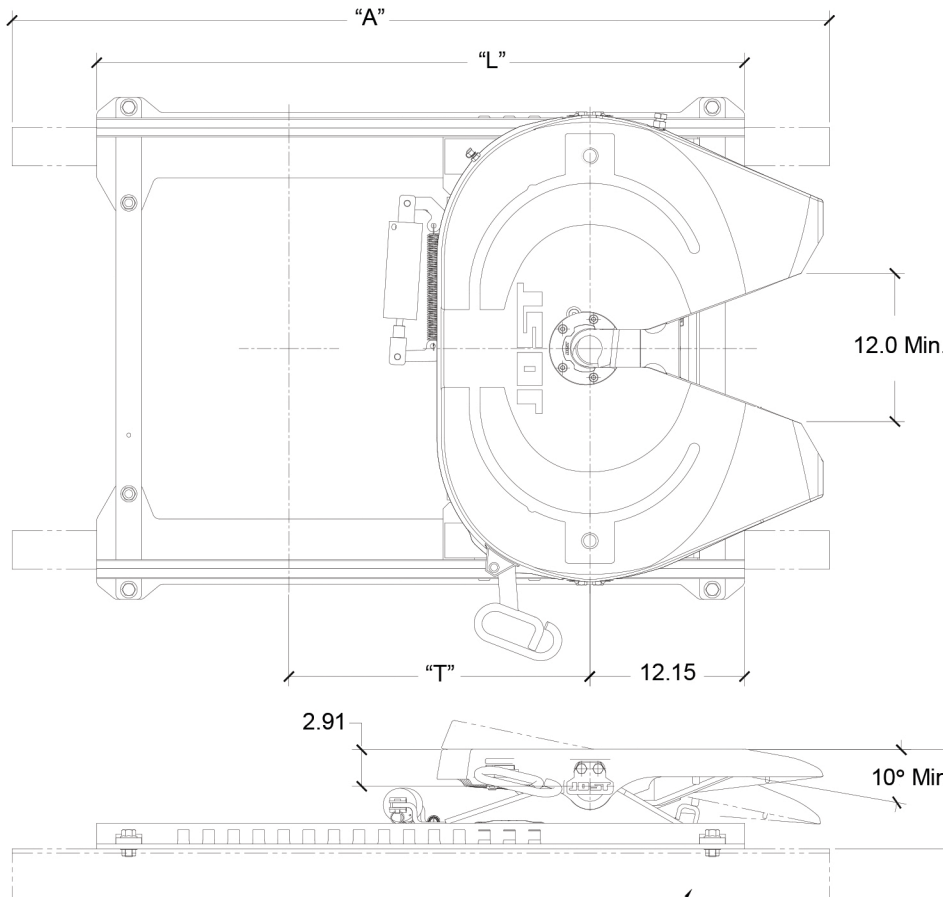
Fifth Wheel Product Line Prefix	Topplate Style	Topplate Lube Type	Topplate Release Type	Articulation	Slider Style	Height*	Rail Type	Frame Width	Slide Travel
JSK	37U	—	—	—	U	—	—	—	—
Auto Lube (4 holes) – A Standard Lube Surface – S With Low Lube Plates – W Standard Surface w/Steel Wear Ring – B Low Lube w/Steel Wear Ring – C Auto Lube w/Steel Wear Ring – D		Left Hand Release – L Air Release – A Left Hand Retractable Handle – B		Leave Blank – Standard N – No-Tilt Convertible**		6.82" – 7 7.82" – 8 8.82" – 9 9.82" – 10 10.82" – 11	W/out Inboard angles X – None (Frame width not required)		06 – 6" 12 – 12" 18 – 18" 24 – 24" 36 – 36" 48 – 48"
No Mounting Angles – X Welded Angles with Hole Pattern – P Welded Angles without Hole Pattern – B							* With Inboard Angles C – 33 1/2" E – 33 3/4" F – 33 7/8" G – 34" H – 34 1/8" J – 34 1/4"		

** No-Tilt Convertible option is not available with 7", 10" or 11" height Slide Brackets. See page 33 for details.

Example: JSK 37USL-U7PG24

* Inboard angles will add 5/16" to overall height

DIMENSIONAL INFORMATION



Dim "T"	Dim "L"	† Dim "A"	"B"
6"	33.2"	46.5"	8
12"	39.0"	52.3"	10
18"	45.0"	58.3"	12
24"	50.9"	64.2"	14
36"	62.7"	76.0"	18
48"	74.5"	87.8"	22

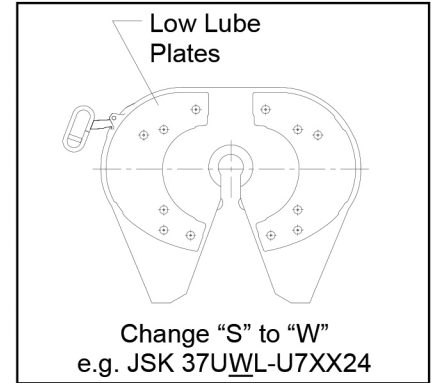
"T" = Slide Travel
 "L" = Slider Length
 "A" = Mounting Angle Length
 "B" = Minimum bolts required to mount

† Additional mounting angle lengths are available as special order

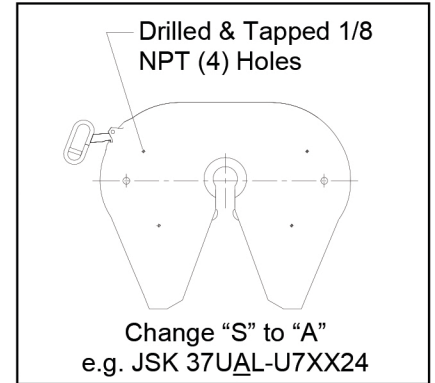
Available with Inboard Angles welded to base
 Bolt pattern can be added to mounting angle if specified by customer
 (see Rail Type above)

Travel	Height †	Weight *	JOIST Model Number ‡
6"	6.82	430 lbs.	JSK 37USL-U7XX06
	7.82	436 lbs.	JSK 37USL-U8XX06
	8.82	442 lbs.	JSK 37USL-U9XX06
	9.82	463 lbs.	JSK 37USL-U10XX06
	10.82	475 lbs.	JSK 37USL-U11XX06
12"	6.82	439 lbs.	JSK 37USL-U7XX12
	7.82	446 lbs.	JSK 37USL-U8XX12
	8.82	451 lbs.	JSK 37USL-U9XX12
	9.82	473 lbs.	JSK 37USL-U10XX12
	10.82	484 lbs.	JSK 37USL-U11XX12
18"	6.82	449 lbs.	JSK 37USL-U7XX18
	7.82	456 lbs.	JSK 37USL-U8XX18
	8.82	461 lbs.	JSK 37USL-U9XX18
	9.82	482 lbs.	JSK 37USL-U10XX18
	10.82	494 lbs.	JSK 37USL-U11XX18
24"	6.82	459 lbs.	JSK 37USL-U7XX24
	7.82	465 lbs.	JSK 37USL-U8XX24
	8.82	471 lbs.	JSK 37USL-U9XX24
	9.82	492 lbs.	JSK 37USL-U10XX24
	10.82	504 lbs.	JSK 37USL-U11XX24
36"	6.82	478 lbs.	JSK 37USL-U7XX36
	7.82	485 lbs.	JSK 37USL-U8XX36
	8.82	490 lbs.	JSK 37USL-U9XX36
	9.82	511 lbs.	JSK 37USL-U10XX36
	10.82	523 lbs.	JSK 37USL-U11XX36
48"	6.82	498 lbs.	JSK 37USL-U7XX48
	7.82	504 lbs.	JSK 37USL-U8XX48
	8.82	509 lbs.	JSK 37USL-U9XX48
	9.82	531 lbs.	JSK 37USL-U10XX48
	10.82	543 lbs.	JSK 37USL-U11XX48

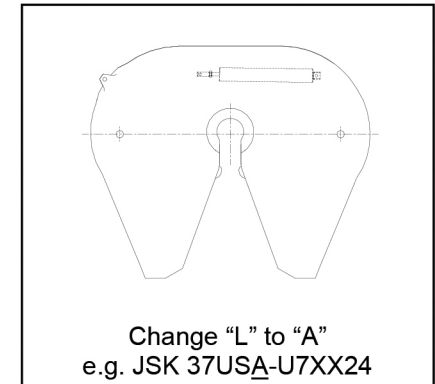
Low Lube Plates



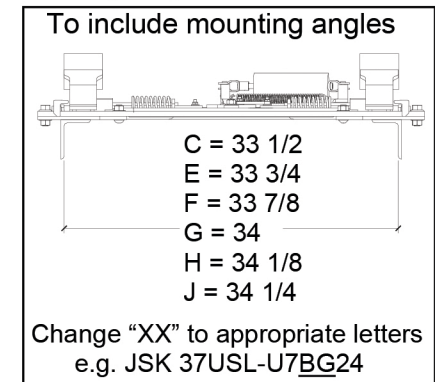
Auto Lube



Air Release



Specify Frame Width †*

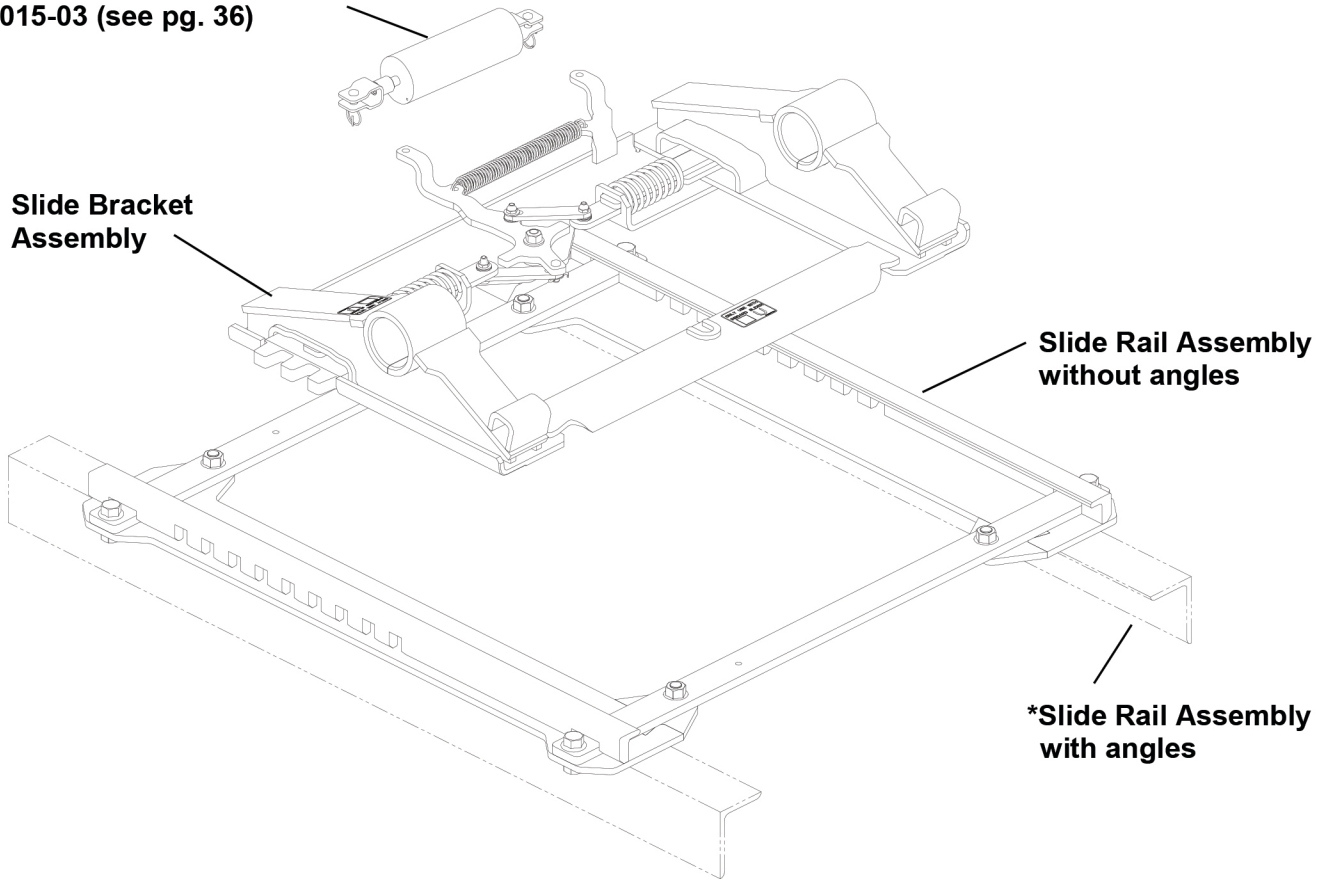


* Weight does not include mounting angles.

† Inboard angles will add 5/16" to overall height.

‡ Model numbers shown have cast topplate, left hand release, air slide and do not include mounting angles.

Air cylinder not included, order SK 75015-03 (see pg. 36)



To Order Slide Rail Assembly without Angles		
JOIST Order Number	Travel	Weight
SK 77562-06	6" Travel	87 lbs.
SK 77562-12	12" Travel	97 lbs.
SK 77562-18	18" Travel	107 lbs.
SK 77562-24	24" Travel	117 lbs.
SK 77562-36	36" Travel	136 lbs.
SK 77562-48	48" Travel	155 lbs.

To Order Slide Rail Assembly with Angles *		
JOIST Order Number	Travel	Weight
SK 77563-BG-06	6" Travel	142 lbs.
SK 77563-BG-12	12" Travel	159 lbs.
SK 77563-BG-18	18" Travel	175 lbs.
SK 77563-BG-24	24" Travel	192 lbs.
SK 77563-BG-36	36" Travel	225 lbs.
SK 77563-BG-48	48" Travel	258 lbs.

To Order Slide Bracket Assembly Only		
JOIST Order Number	Height	Weight
U7P	7" F.W. Height	98 lbs.
U8P	8" F.W. Height	105 lbs.
U9P	9" F.W. Height	110 lbs.
U10P	10" F.W. Height	132 lbs.
U11P	11" F.W. Height	143 lbs.

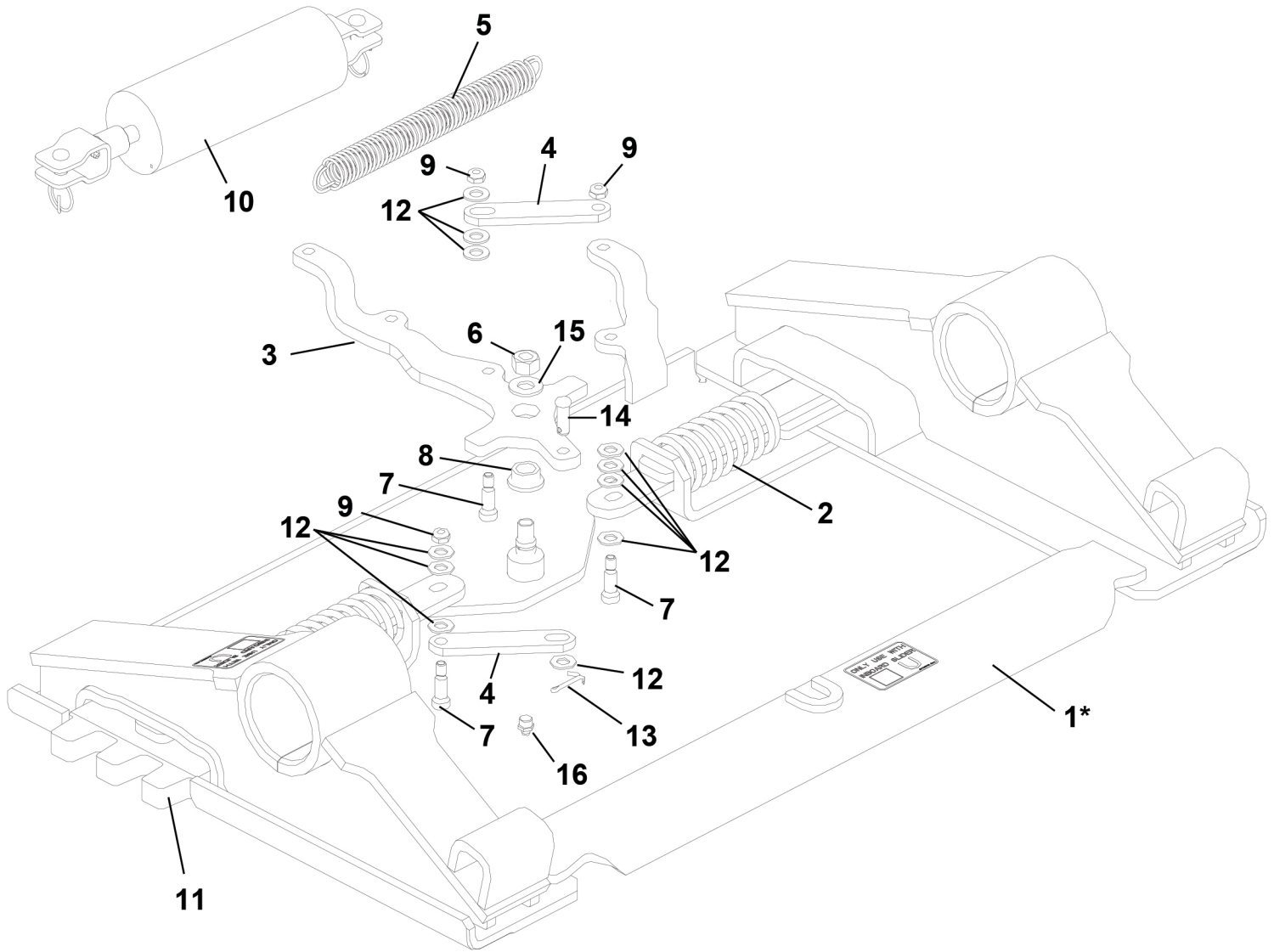
* Frame width is required for Rail Assembly with Angles.

For different frame width, replace "G" in order number with appropriate letter (e.g. SK 77563-BE-12).

Common Frame Width Options

C = 33 1/2
E = 33 3/4
F = 33 7/8
G = 34 (shown)
H = 34 1/8
J = 34 1/4

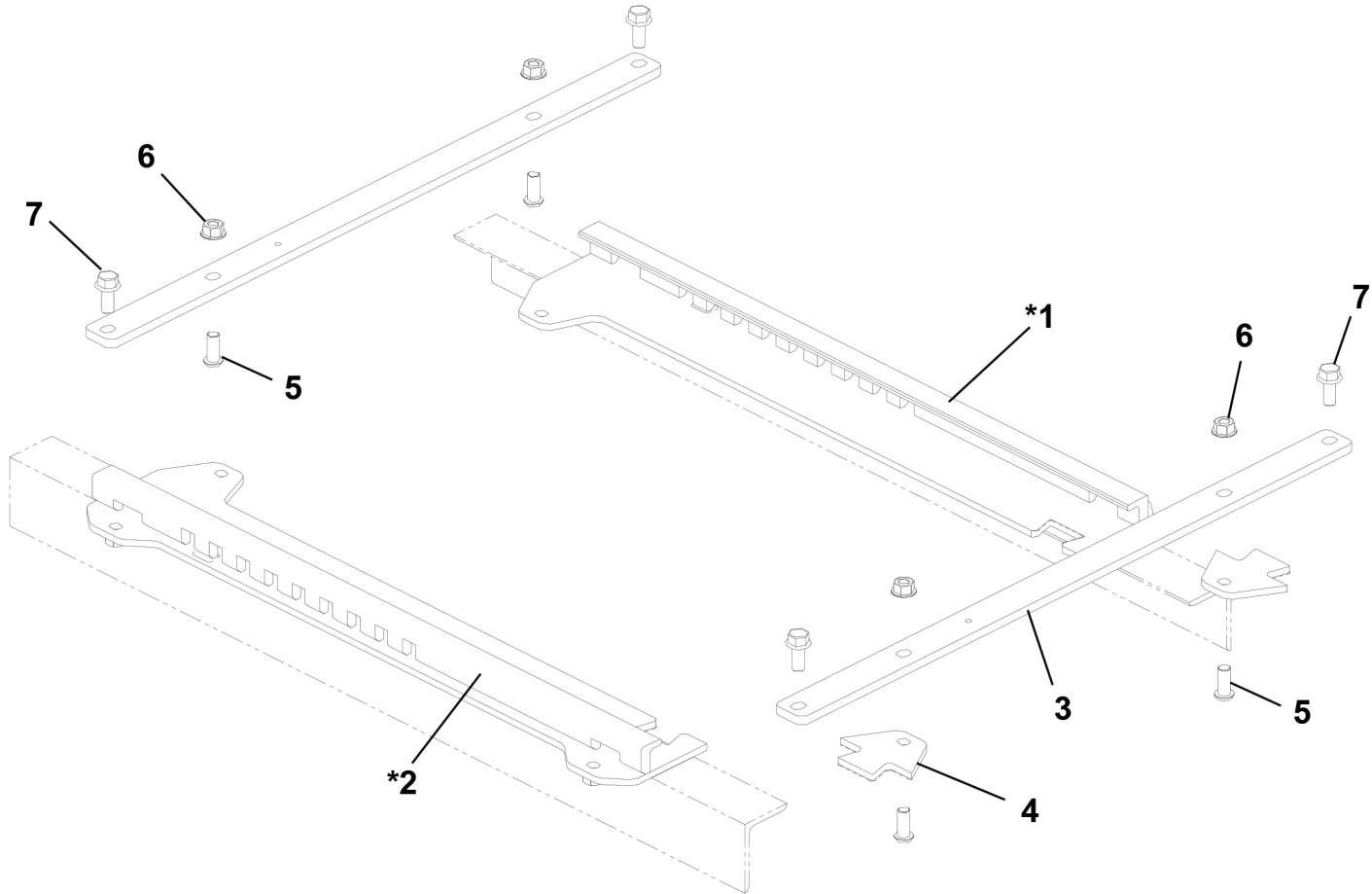
Slide Bracket Assembly



Item	Description	Part No.	Item	Description	Part No.
1	Slide bracket*	SK 77541-xx	9	5/16-18 Lock Nut	SK 70402-01
2	Spring	SK 77293-00	10	Cylinder Assembly (see pg 36)	SK 75015-03
3	Pivot Arm	SK 77289-00	11	Plunger	SK 77548-00
4	Pivot Linkage	SK 77290-00	12	Flat Washer	SK 70302-05
5	Double Coil Spring	V2026100	13	Cotter Pin	SK 70101-03
6	1/2-13 Lock Nut	SK 70401-03	14	3/8 Dia. Clevis Pin	SK 70102-00
7	3/8 Dia.x 3/4 Shoulder Screw	SK 70201-09	15	Flat Washer	SK 70302-02
8	Flanged Bearing	SK 77292-00	16	Pivot Post Grease Fitting	SK 71013-12

*Item #1 available in fifth wheel heights: 7", 8", 9", 10" or 11". Replace XX in part number with appropriate height (e.g. SK 77541-08).

Slide Rail Assembly



Item	Description	Part No.	Item	Description	Part No.
*1	RH Slide Rail without Angle	SK 77535-xx	4	Cross Brace Support	SK 77550-00
*2	LH Slide Rail without Angle	SK 77536-xx	5	5/8-11 Button Head Screw	SK 70206-03
**1A	RH Slide Rail with Angle	SK 77537-BG-xx	6	5/8-11 Flange Nut	SK 70415-01
**2A	LH Slide Rail with Angle	SK 77538-BG-xx	7	5/8-11 Flange Cap Screw	SK 70210-02
3	Cross Brace	SK 77539-01			

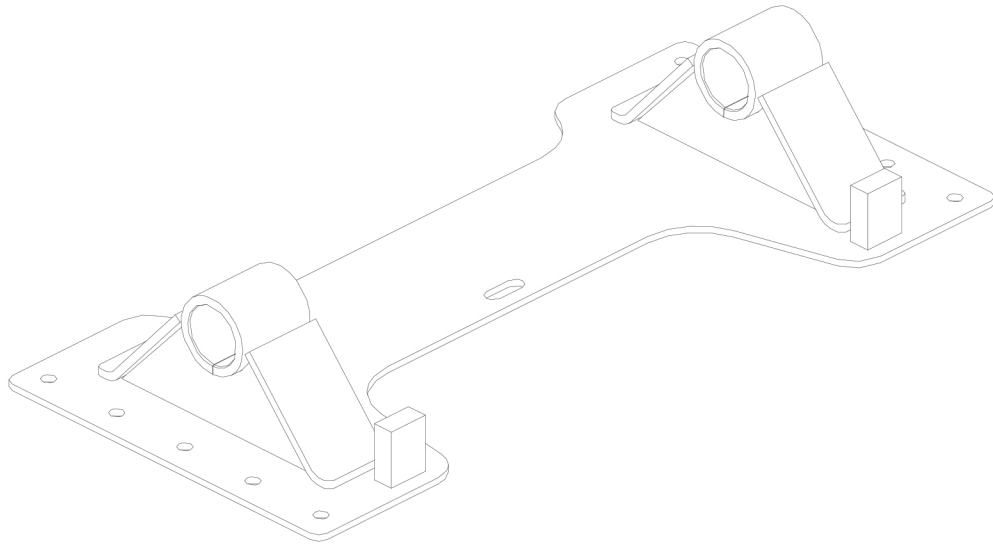
* Items #1 & #2 available in travel lengths:
Replace XX in part number with travel length
(e.g. SK 77535-12 & SK 77536-12).

** Items #1A & #2A must also include frame width and
travel length. Replace "G" with appropriate frame
width option and replace XX with travel length
(e.g. SK 77535-BE-12 & SK 77536-BE-12).

Available Travel Lengths
06", 12", 18", 24", 36", 48"

Common Frame
Width Options

C = 33 1/2
E = 33 3/4
F = 33 7/8
G = 34 (shown)
H = 34 1/8
J = 34 1/4



CAPACITY:

50,000 maximum vertical load.
150,000 maximum drawbar pull.

FEATURES:

- **MADE IN U.S.A. – BY**
- Heavy-duty brackets constructed of high strength low alloy material combine durability with lightweight.
- Maintenance-free pivot eliminates routine lubrication requirements.
- Upshock cushion reduces impact and provides torsional relief between tractor and trailer.

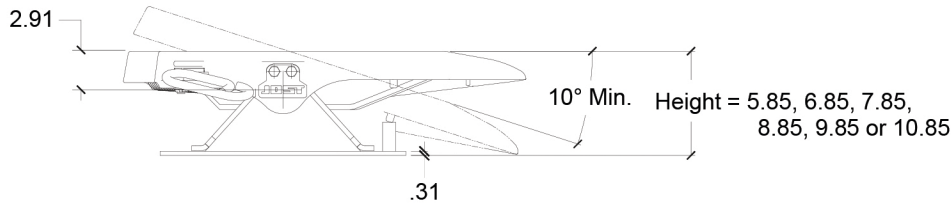
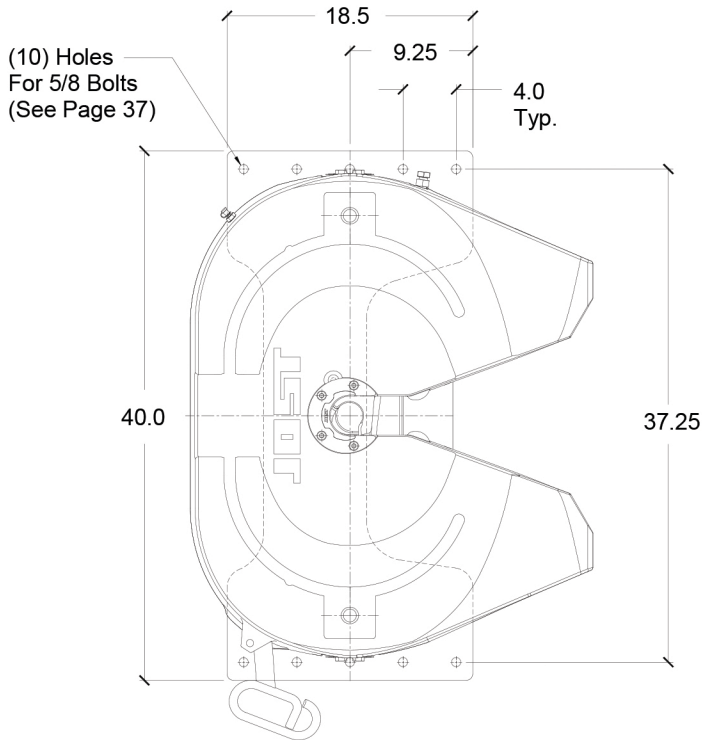
PART NUMBER

TOPPLATE (See Page 1)				BRACKET (See Page 32)			
Fifth Wheel Product Line Prefix	Topplate Style	Topplate Lube Type	Topplate Release Type	Articulation	Bracket Style	Height	Frame Width
JSK					DB		X
Fabricated Topplate – 36N Cast Topplate – 37U		Auto Lube (4 holes) – A Standard Lube Surface – S With Low Lube Plates – W Standard Surface w/Steel Wear Ring – B Low Lube w/Steel Wear Ring – C Auto Lube w/Steel Wear Ring – D	Air Release – A Left Hand Retractable Handle – B Left Hand Release – L		Leave Blank – Standard N – No-Tilt Convertible*	6 – 5.85" 7 – 6.85" 8 – 7.85" 9 – 8.85" 10 – 9.85" 11 – 10.85"	

* No-Tilt Convertible option is available with 8" or 9" height Brackets only.

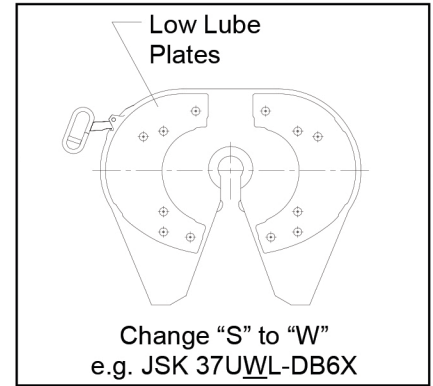
Example: JSK 37USL-DB6X

DIMENSIONAL INFORMATION

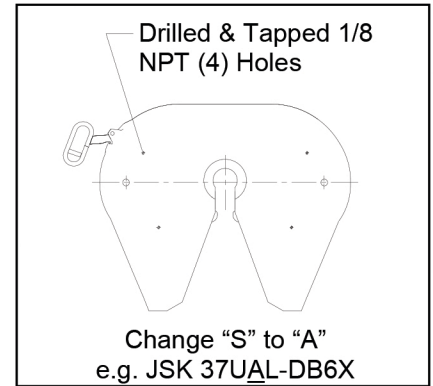


Height*	Weight	JO ST Model Number †
6"	319 lbs.	JSK 37USL-DB6X
7"	324 lbs.	JSK 37USL-DB7X
8"	329 lbs.	JSK 37USL-DB8X
9"	336 lbs.	JSK 37USL-DB9X
10"	374 lbs.	JSK 37USL-DB10X
11"	388 lbs.	JSK 37USL-DB11X

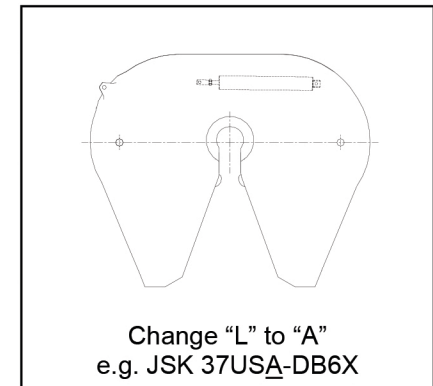
Low Lube Plates



Auto Lube

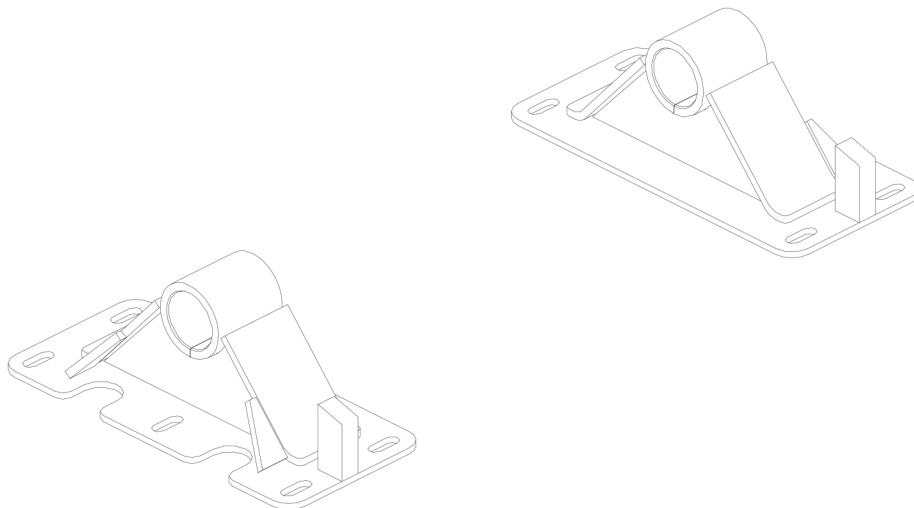


Air Release



* Nominal height shown, for actual height see line drawing above.

† Model numbers shown have standard topplate and left hand release.



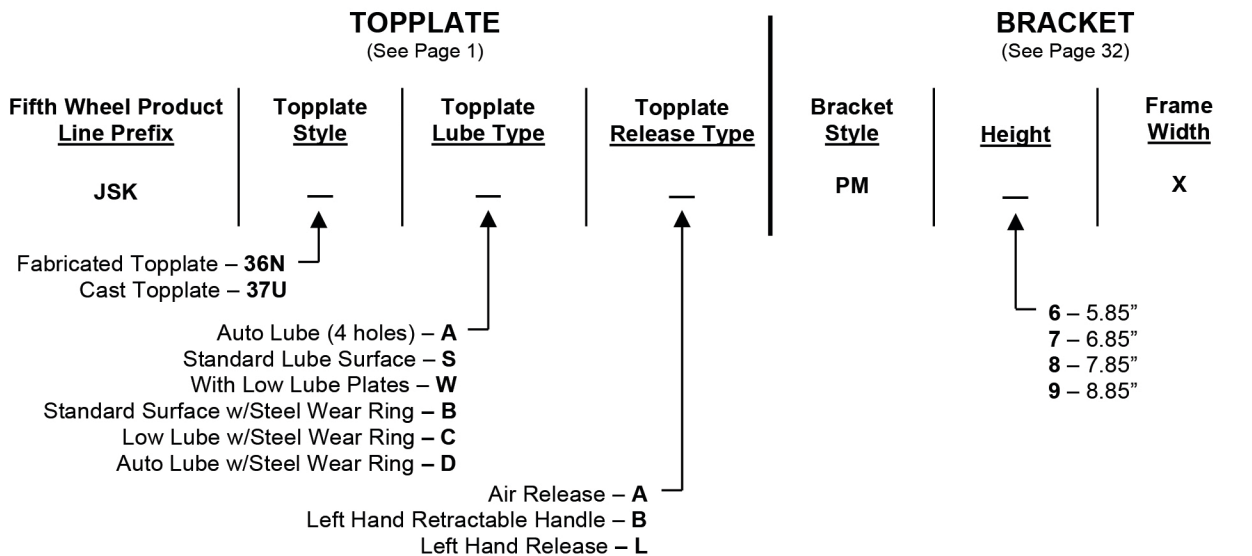
CAPACITY:

50,000 maximum vertical load.
150,000 maximum drawbar pull.

FEATURES:

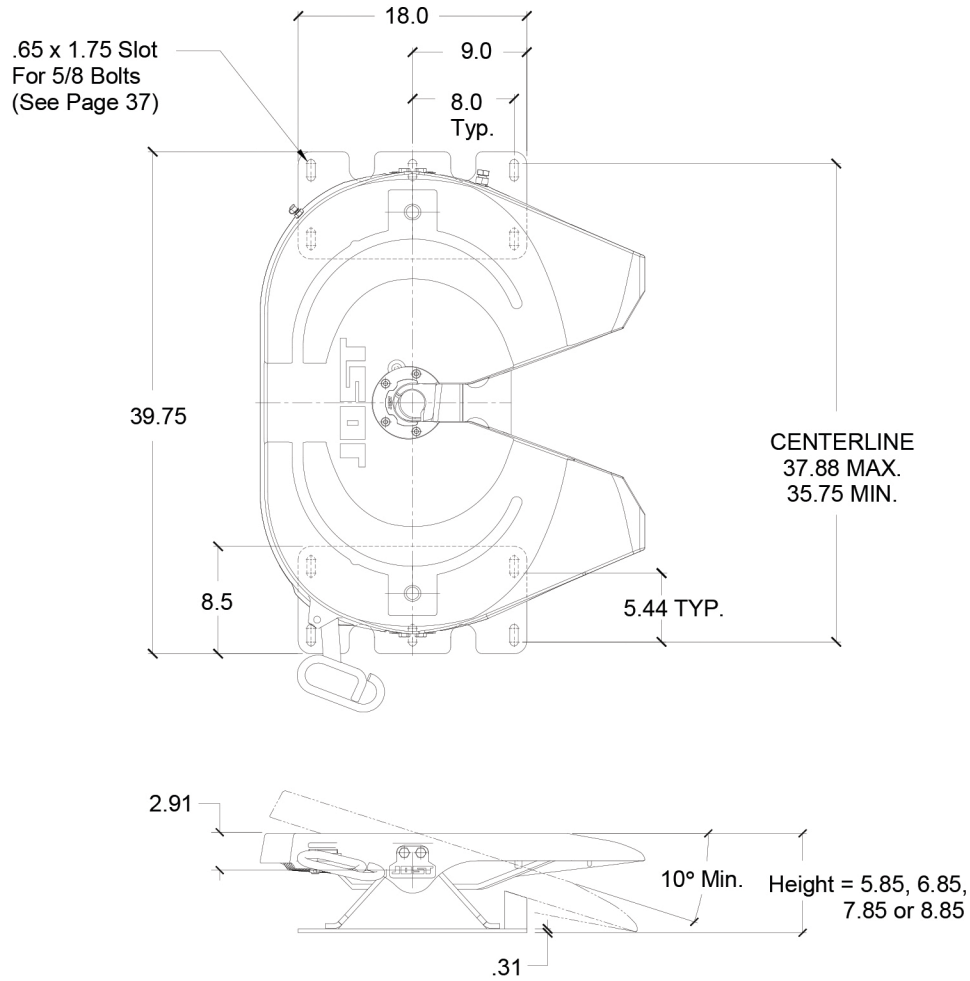
- **MADE IN U.S.A. – BY**
- Heavy-duty brackets constructed of high strength low alloy material combine durability with lightweight.
- Maintenance-free pivot eliminates routine lubrication requirements.
- Upshock cushion reduces impact and provides torsional relief between tractor and trailer.

PART NUMBER

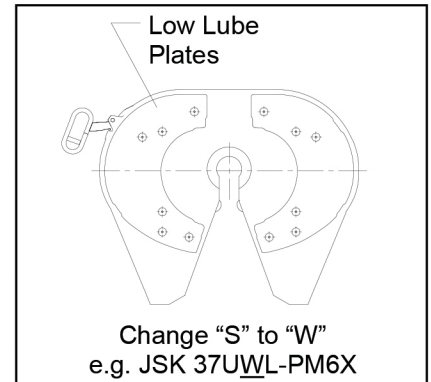


Example: JSK 37USL-PM6X

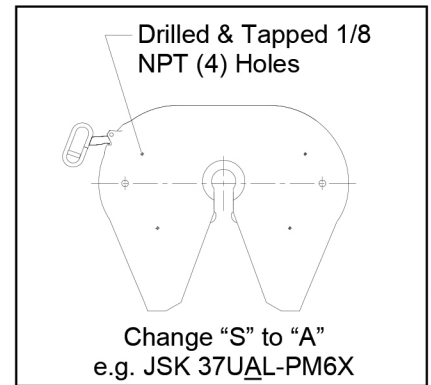
DIMENSIONAL INFORMATION



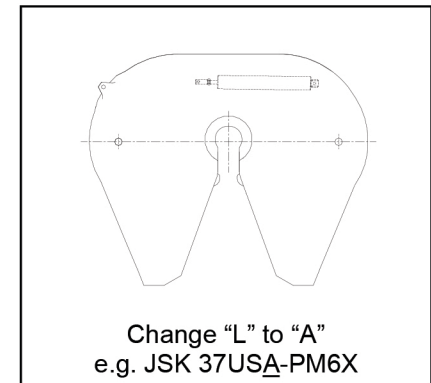
Low Lube Plates



Auto Lube



Air Release

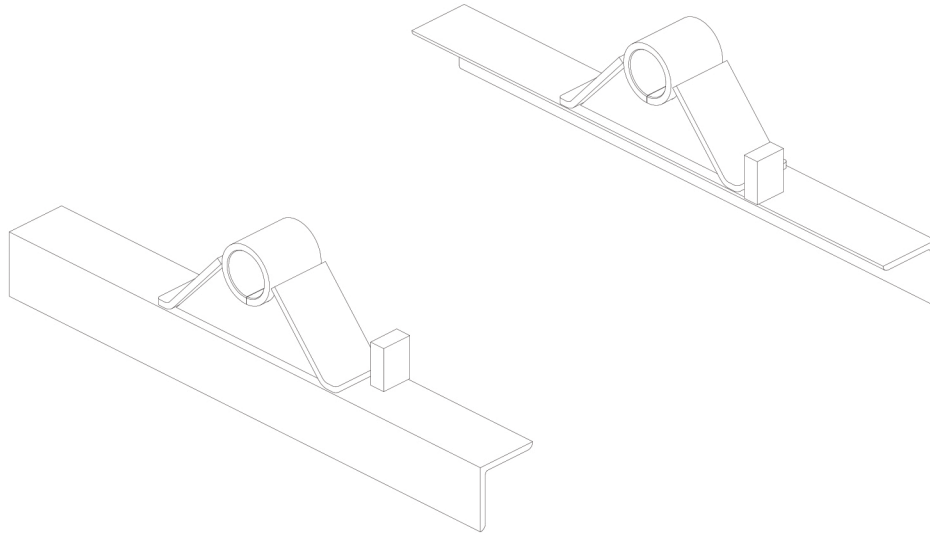


Note: For corrugated mounting plate, see page 40.

Height *	Weight	JOIST Model Number †
6"	300 lbs.	JSK 37USL-PM6X
7"	304 lbs.	JSK 37USL-PM7X
8"	309 lbs.	JSK 37USL-PM8X
9"	313 lbs.	JSK 37USL-PM9X

* Nominal height shown, for actual height see line drawing above.

† Model numbers shown have standard topplate and left hand release.



CAPACITY:

50,000 maximum vertical load.
150,000 maximum drawbar pull.

FEATURES:

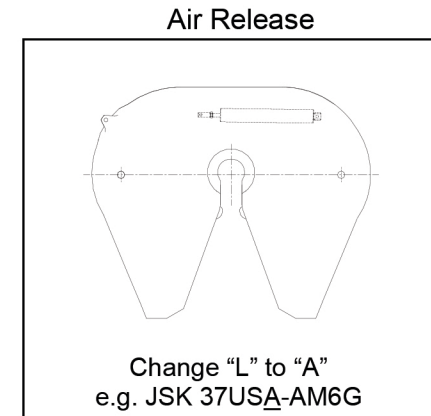
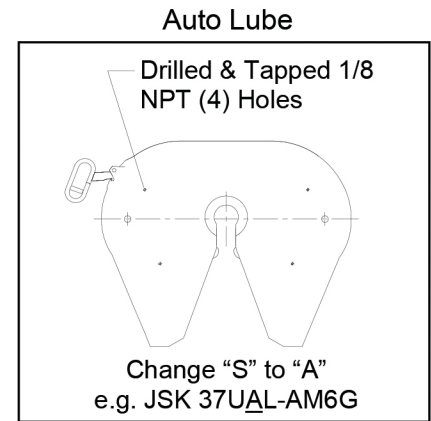
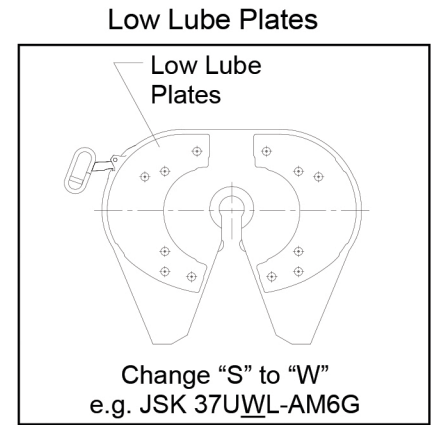
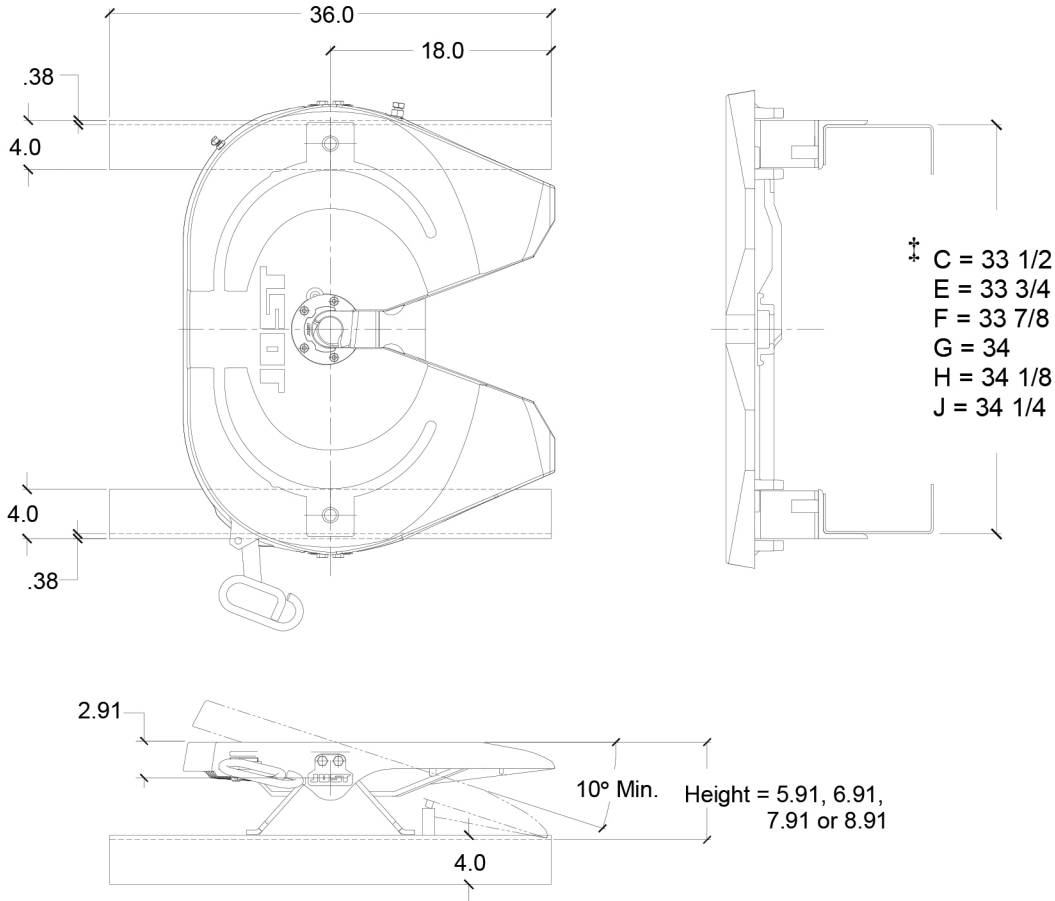
- **MADE IN U.S.A. – BY**
- Heavy-duty brackets constructed of high strength low alloy material combine durability with lightweight.
- Maintenance-free pivot eliminates routine lubrication requirements.
- Upshock cushion reduces impact and provides torsional relief between tractor and trailer.

PART NUMBER

TOPPLATE (See Page 1)				BRACKET (See Page 32)		
Fifth Wheel Product Line Prefix	Topplate Style	Topplate Lube Type	Topplate Release Type	Bracket Style	Height	Frame Width
JSK	—	—	—	AM	—	—
Fabricated Topplate – 36N Cast Topplate – 37U		Auto Lube (4 holes) – A Standard Lube Surface – S With Low Lube Plates – W Standard Surface w/Steel Wear Ring – B Low Lube w/Steel Wear Ring – C Auto Lube w/Steel Wear Ring – D		Air Release – A Left Hand Retractable Handle – B Left Hand Release – L		
					6 – 5.91" 7 – 6.91" 8 – 7.91" 9 – 8.91"	C – 33 1/2" E – 33 3/4" F – 33 7/8" G – 34" H – 34 1/8" J – 34 1/4"

Example: JSK 37USL-AM6G

DIMENSIONAL INFORMATION

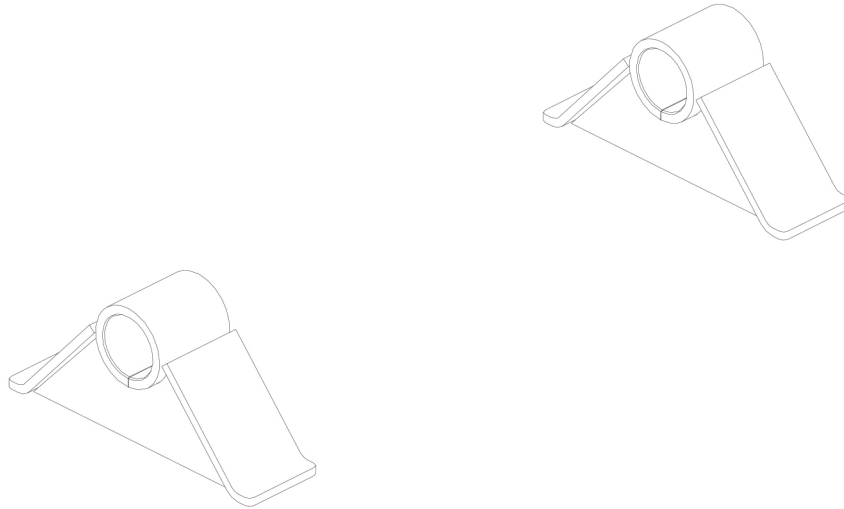


† For other frame widths change "G" to appropriate letter shown.
e.g. JSK 37USL-AM6C

Height *	Weight	JOST Model Number †
6"	334 lbs.	JSK 37U <u>S</u> L-AM6G
7"	338 lbs.	JSK 37U <u>S</u> L-AM7G
8"	343 lbs.	JSK 37U <u>S</u> L-AM8G
9"	347 lbs.	JSK 37U <u>S</u> L-AM9G

* Nominal height shown, for actual height see line drawing above.

† Model numbers shown have standard topplate, left hand release and 34" frame width.



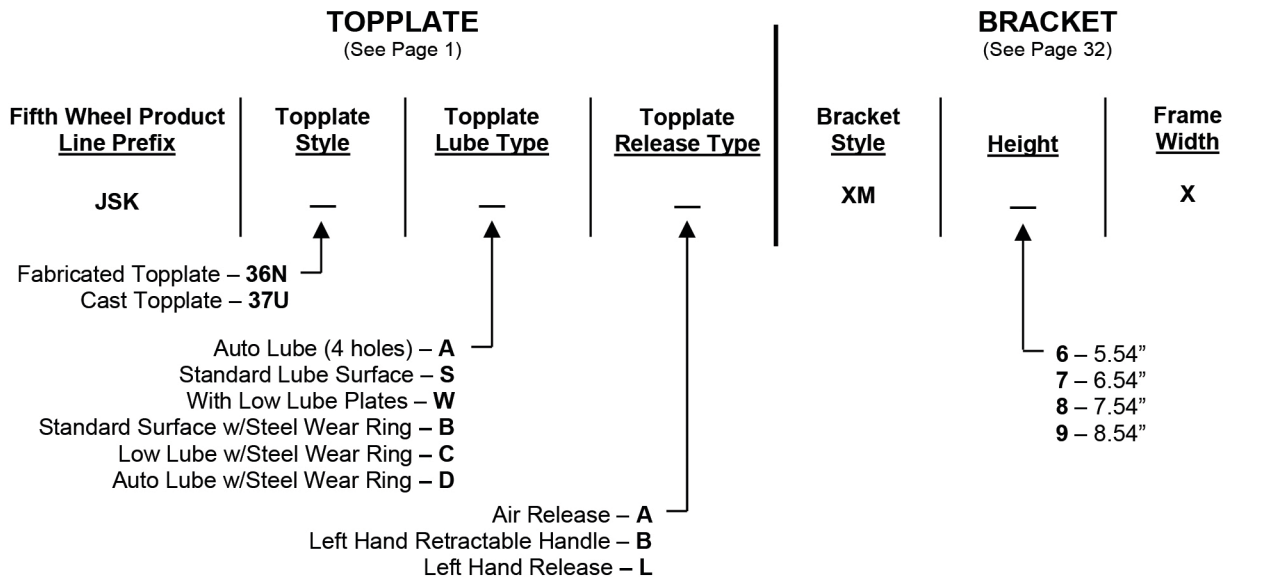
CAPACITY:

50,000 maximum vertical load.
150,000 maximum drawbar pull.

FEATURES:

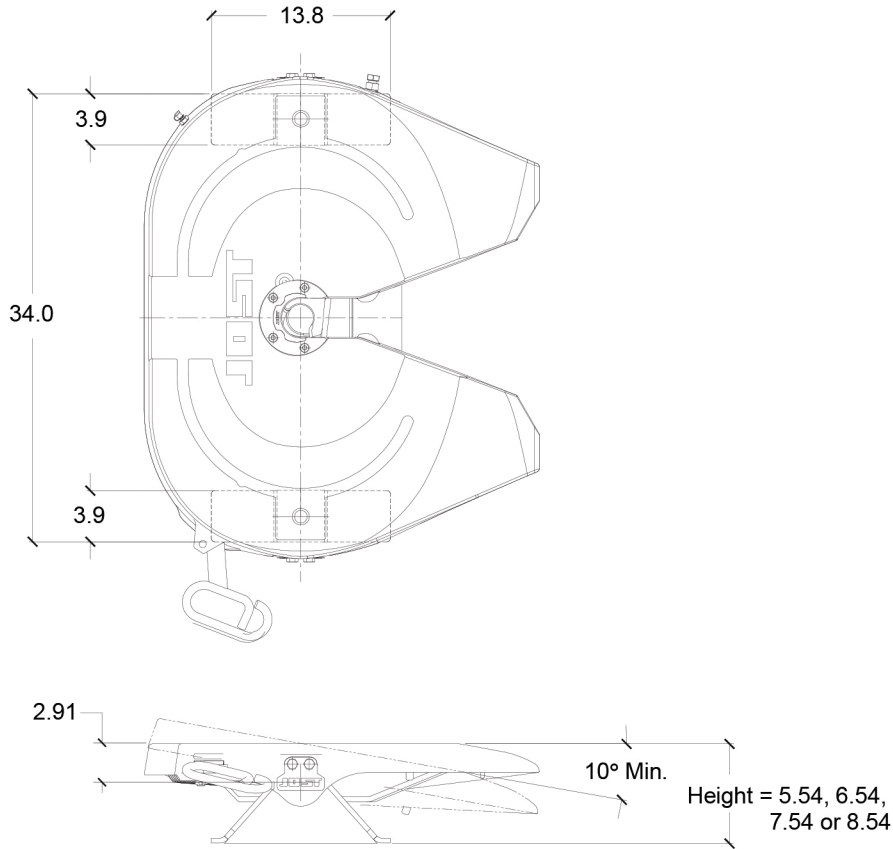
- **MADE IN U.S.A. – BY**
- Heavy-duty brackets constructed of high strength low alloy material combine durability with lightweight.
- Maintenance-free pivot eliminates routine lubrication requirements.
- Upshock cushion reduces impact and provides torsional relief between tractor and trailer.

PART NUMBER

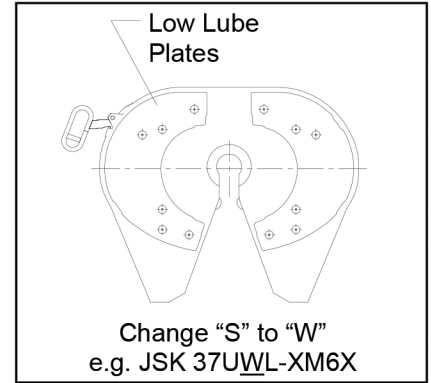


Example: JSK 37USL-XM6X

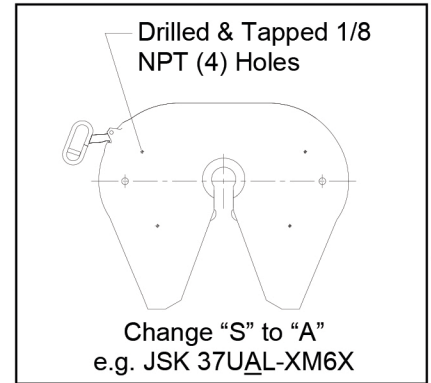
DIMENSIONAL INFORMATION



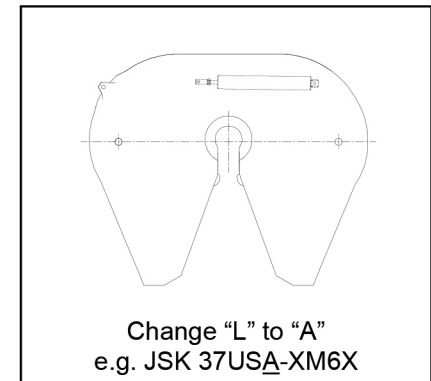
Low Lube Plates



Auto Lube



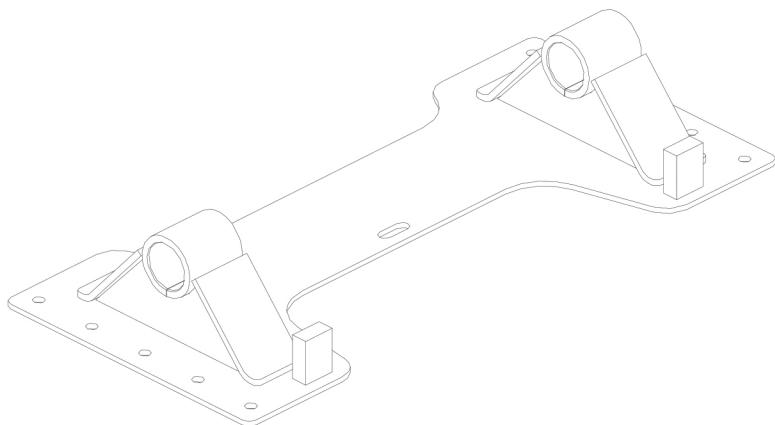
Air Release



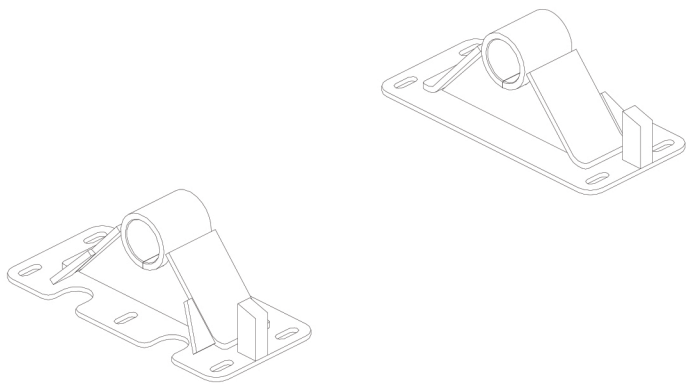
Height *	Weight	JOIST Model Number †
6"	275 lbs.	JSK 37USL-XM6X
7"	279 lbs.	JSK 37USL-XM7X
8"	284 lbs.	JSK 37USL-XM8X
9"	288 lbs.	JSK 37USL-XM9X

* Nominal height shown, for actual height see line drawing above.

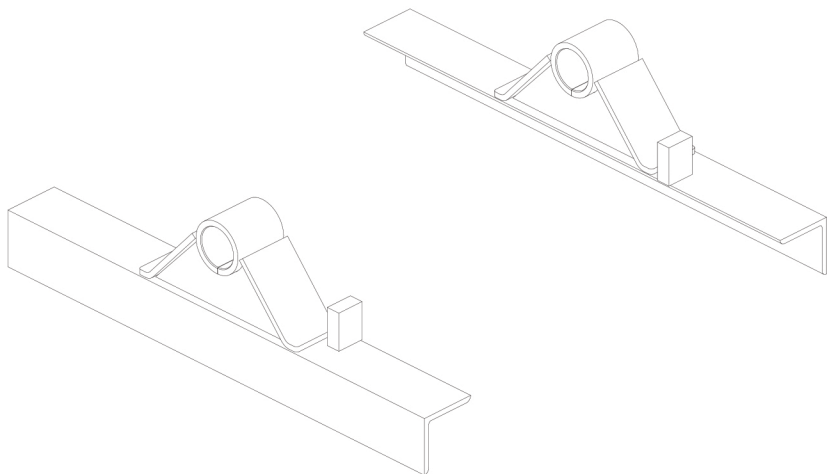
† Model numbers shown have standard topplate and left hand release.



Outboard Flat Plate Mounting Bracket *		
JOIST Order Number	Height	Weight
DB6X	6" F.W. Height	69 lbs.
DB7X	7" F.W. Height	74 lbs.
DB8X	8" F.W. Height	79 lbs.
DB9X	9" F.W. Height	85 lbs.
DB10X	10" F.W. Height	123 lbs.
DB11X	11" F.W. Height	137 lbs.

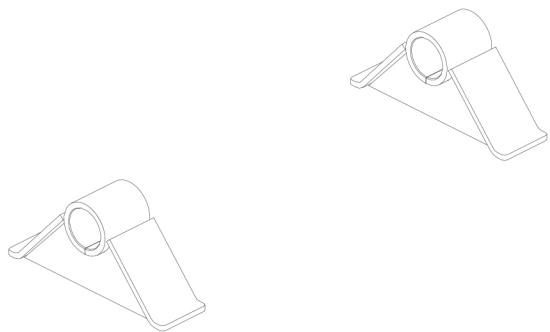


Outboard Plate Mount Mounting Bracket *		
JOIST Order Number	Height	Weight
PM6X	6" F.W. Height	51 lbs.
PM7X	7" F.W. Height	55 lbs.
PM8X	8" F.W. Height	60 lbs.
PM9X	9" F.W. Height	65 lbs.

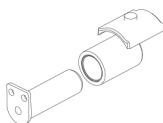


Inboard Angle Mounting Bracket *		
JOIST Order Number	Height	Weight
AM6G**	6" F.W. Height	84 lbs.
AM7G**	7" F.W. Height	88 lbs.
AM8G**	8" F.W. Height	93 lbs.
AM9G**	9" F.W. Height	99 lbs.

**For other frame widths change "G" to appropriate letter shown on page 29. (e.g. AM6C)



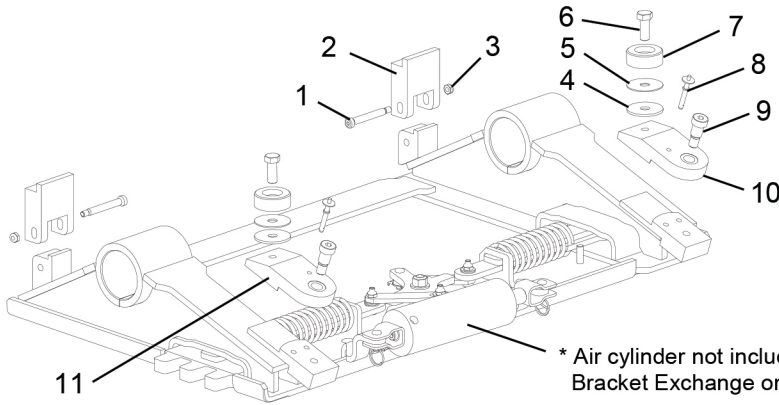
Bracket * for Angle Mount		
JOIST Order Number	Height	Weight
XM6X	6" F.W. Height	24 lbs.
XM7X	7" F.W. Height	28 lbs.
XM8X	8" F.W. Height	32 lbs.
XM9X	9" F.W. Height	37 lbs.



*Pins, bushings & collars not included when ordering brackets only.

SLIDER PARTS

(Adds 17 lbs to standard weight)



Outboard Slide Bracket
8" High – SK-77083-08 **
9" High – SK-77083-09 **

Inboard Slide Bracket
8" High – SK-77554-08 **
9" High – SK-77554-09 **

**Order numbers above do not include items 4-7

Outboard Bracket Exchange*
8" High– NA8P
9" High– NA9P

Inboard Bracket Exchange*
8" High– NU8P
9" High– NU9P

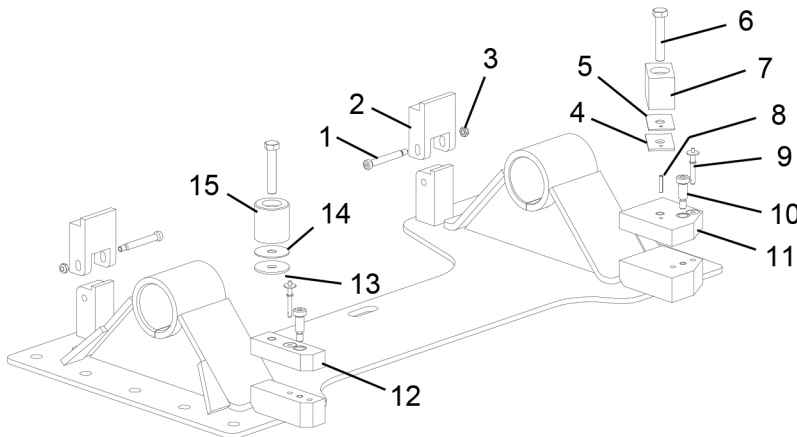
Kit including all items listed below
(Inboard or Outboard)
8" High– SK-75041-08
9" High– SK-75041-09

8" SLIDER PARTS (Inboard or Outboard)		
Item	Description	Part No.
1	Lock Nut	SK-70402-01
2	Rear Stop	SK-72066-01
3	3/8 Dia. x 2 1/2 lg. Shoulder Screw	SK-70201-02
4	Thick Shim (round)	SK-72068-12
5	Thin Shim (round)	SK-72068-06
6	1/2-13 Hex Head Screw	SK-70202-08
7	Front Stop	SK-72065-08
8	1/4 Dia. x 3/4 lg. Positive Lock Pin	SK-71022-02
9	5/8 Dia. x 3/4 lg. Shoulder Screw	SK-70201-14
10	Left Front Tilt Stop Plate	SK-77084-01
11	Right Front Tilt Stop Plate	SK-77084-02

9" SLIDER PARTS (Inboard or Outboard)		
Item	Description	Part No.
1	Lock Nut	SK-70402-01
2	Rear Stop	SK-72066-02
3	3/8 Dia. x 2 1/2 lg. Shoulder Screw	SK-70201-02
4	Thick Shim (round)	SK-72068-12
5	Thin Shim (round)	SK-72068-06
6	1/2-13 Hex Head Screw	SK-70202-16
7	Front Stop	SK-72065-09
8	1/4" Dia. Positive Lock Pin	SK-71022-02
9	5/8 Dia. x 3/4 lg. Shoulder Screw	SK-70201-14
10	Left Front Tilt Stop Plate	SK-77084-01
11	Right Front Tilt Stop Plate	SK-77084-02

STATIONARY PARTS

(Adds 26 lbs to standard weight)

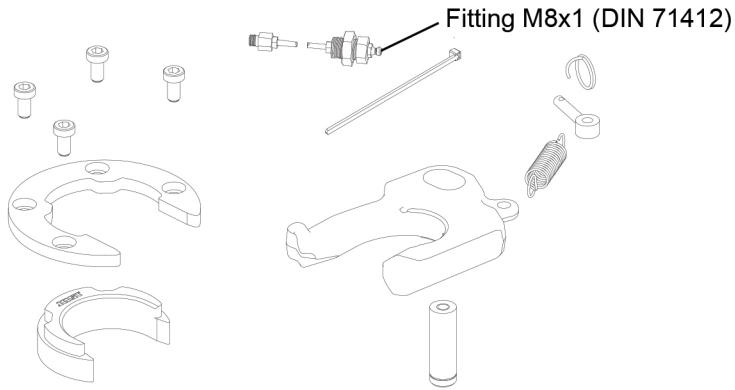


Stationary Assemblies
8" High Flat Plate Asm – NDB8X
9" High Flat Plate Asm – NDB9X

Kit including all items listed below
8" High– SK-75042-08
9" High– SK-75042-09

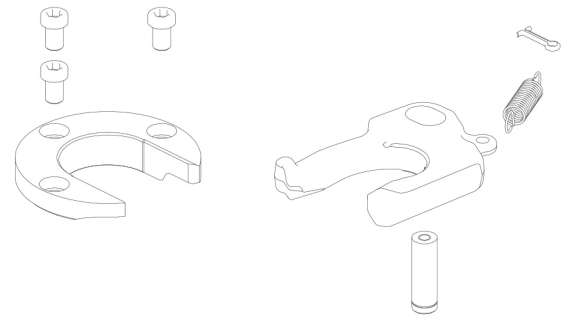
8" STATIONARY PARTS		
Item	Description	Part No.
1	3/8 Dia. x 2 1/2 lg. Shoulder Screw	SK-70201-02
2	Rear Stop	SK-72066-01
3	Lock Nut	SK-70402-01
4	Thick Shim (rectangle)	SK-72069-12
5	Thin Shim (rectangle)	SK-72069-06
6	1/2-13 Hex Head Screw	SK-70202-17
7	L.H. Front Stop	SK-72067-08
8	Roll Pin	SK-70104-03
9	1/4 Dia. x 1 lg. Positive Lock Pin	SK-71022-02
10	1/2 Dia. x 1 lg. Shoulder Screw	SK-70201-12
11	L.H. Front Tilt Stop Plate	SK-72064-00
12	R.H. Front Tilt Stop Plate	SK-72063-00
13	Thick Shim (round)	SK-72068-12
14	Thin Shim (round)	SK-72068-06
15	R.H. Front Stop	SK-72065-18

9" STATIONARY PARTS		
Item	Description	Part No.
1	3/8 Dia. x 2 1/2 lg. Shoulder Screw	SK-70201-02
2	Rear Stop	SK-72066-01
3	Lock Nut	SK-70402-01
4	Thick Shim (rectangle)	SK-72069-12
5	Thin Shim (rectangle)	SK-72069-06
6	1/2-13 Hex Head Screw	SK-70202-18
7	L.H. Front Stop	SK-72067-09
8	Roll Pin	SK-70104-03
9	1/4 Dia. x 1 lg. Positive Lock Pin	SK-71022-02
10	1/2 Dia. x 1 lg. Shoulder Screw	SK-70201-12
11	L.H. Front Tilt Stop Plate	SK-72064-00
12	R.H. Front Tilt Stop Plate	SK-72063-00
13	Thick Shim (round)	SK-72068-12
14	Thin Shim (round)	SK-72068-06
15	R.H. Front Stop	SK-72065-19



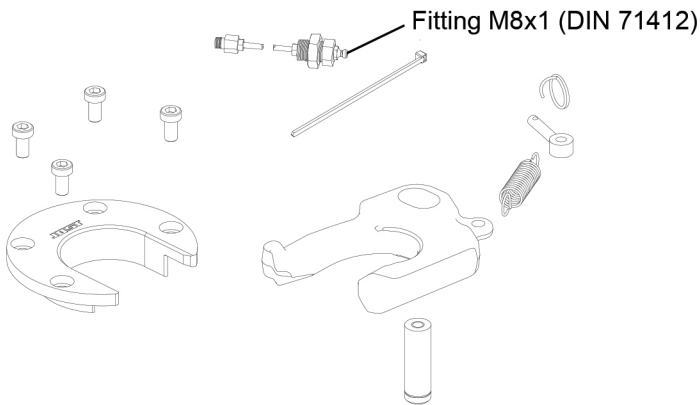
JSK37 Series Cushion and Lock Jaw Rebuild Kit–L.H. only	
JOST Order Number	Weight
SK 73221-50Z	6 lbs.

Includes: Ring, Eye bolt, Lock jaw spring, Lock jaw, Lock jaw pivot pin, Cushion ring insert, Cushion ring fixture, Lubrication kit, (4) Socket head cap screws



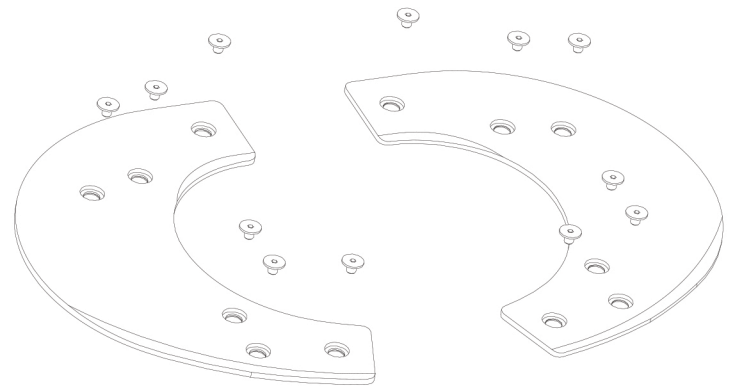
JSK36 Series Wear Ring and Lock Jaw Rebuild Kit–L.H. only	
JOST Order Number	Weight
SK 75013-05	7 lbs.

Includes: Cotter pin, Lock jaw spring, Lock jaw, Lock jaw pivot pin, Wear ring, (3) Socket head cap screws



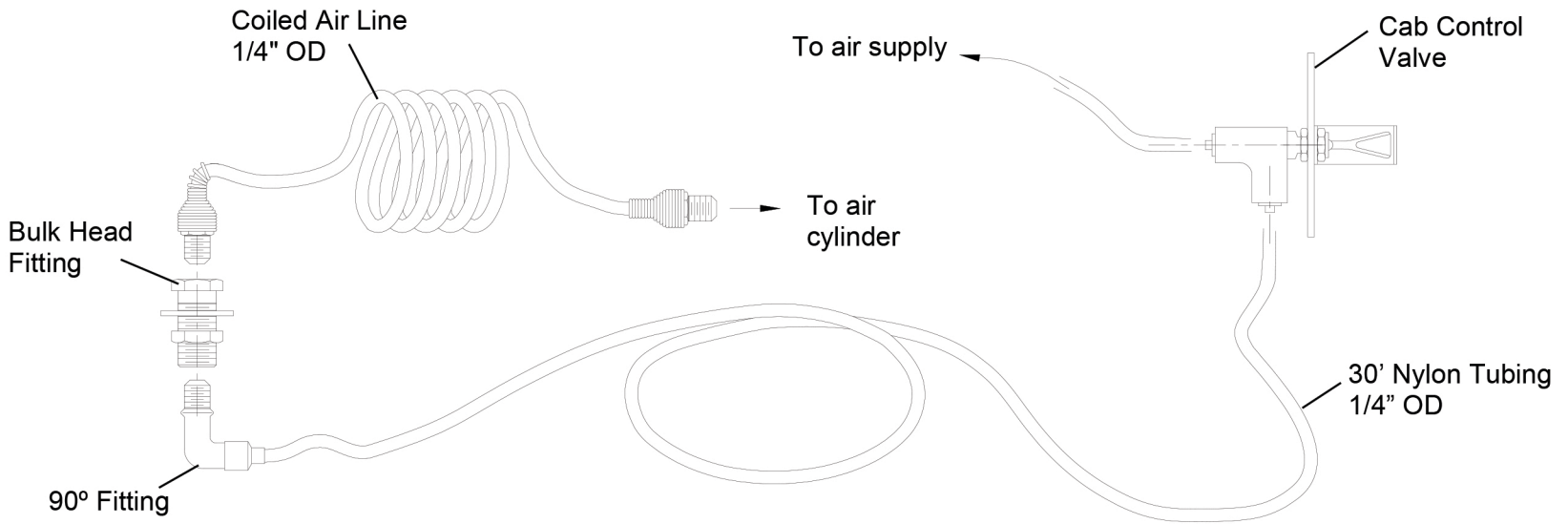
JSK37 Series Steel Wear Ring and Lock Jaw Rebuild Kit–L.H. only	
JOST Order Number	Weight
SK 75013-40	7 lbs.

Includes: Ring, Eye bolt, Lock jaw spring, Lock jaw, Lock jaw pivot pin, Steel Wear Ring, Lubrication kit, (4) Socket head cap screws



Liner Plate Replacement Kit		
Type	JOST Order Number	Weight
Composite	SK 3106-003	10 lbs.
Steel	SK 79004-01	35 lbs.

Includes: (2) Plates, (12) Bolts



Complete Air Slide Control and Air Line Kit		
JOST Order Number	Slide Travel	Weight
SK 75002-01	36" or less	2 lbs.
SK 75002-04	48" or more	2 lbs.

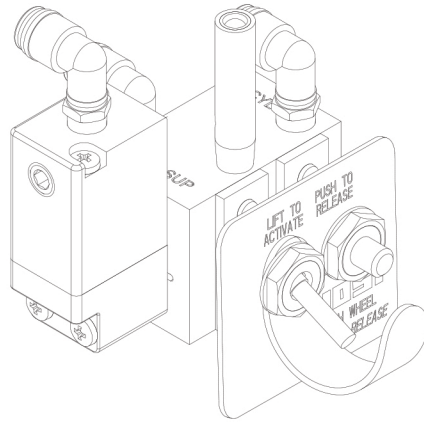
Includes: Cab Control Valve, 30' SAE JS44 type A Nylon Tubing, 90° Fitting, Bulk Head Fitting, Coiled Air Line, and Wire Ties

Air Slide and Air Line Kit		
JOST Order Number	Slide Travel	Weight
SK 75002-02	36" or less	2 lbs.
SK 75002-16	48" or more	2 lbs.

Includes: Bulk Head Fitting, Coiled Air Line, Wire Ties

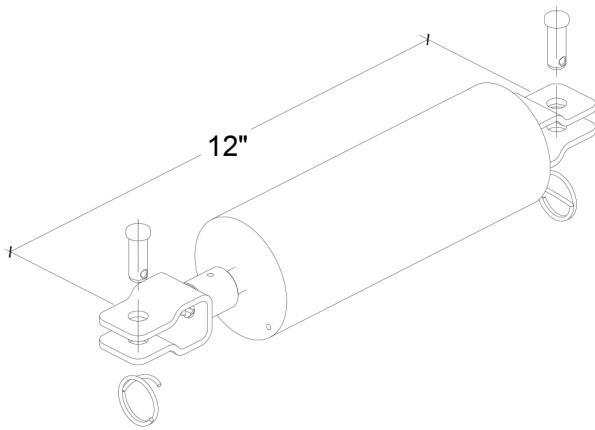
Topplate Air Release Air Line Kit		
JOST Order Number	Fifth Wheel type	Weight
SK 75002-12	36" travel or less	1 lb.
	Stationary	
SK 75002-15	48" travel or more	1 lb.

Includes: 30' SAE JS44 type A Nylon Tubing, 90° Fitting, Bulk Head Fitting, Coiled Air Line



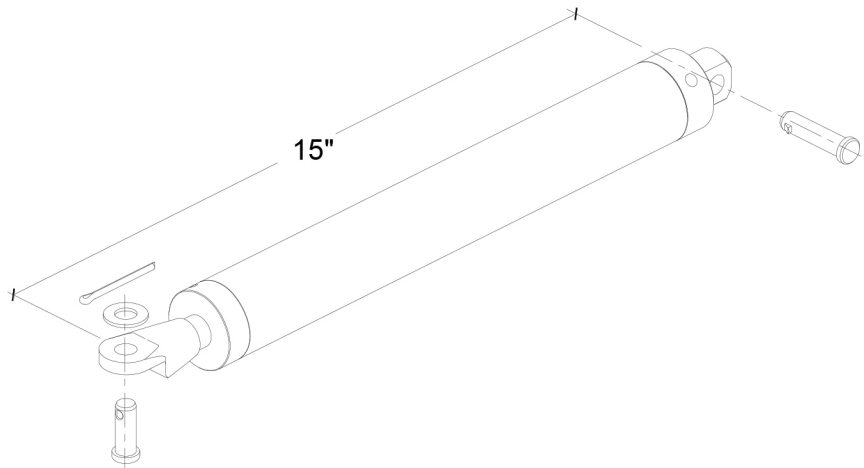
Air Release Topplate Manifold Assembly Kit	
JOIST	
Order Number	Weight
SK 75002-05	2 lbs.

Includes: Air Release Manifold Valve
 Air Release Inversion Valve
 Cab Control Plate
 Finger Guard



Sliding Fifth Wheel Air Cylinder	
JOIST	
Order Number	Weight
SK 75015-03	4 lbs.

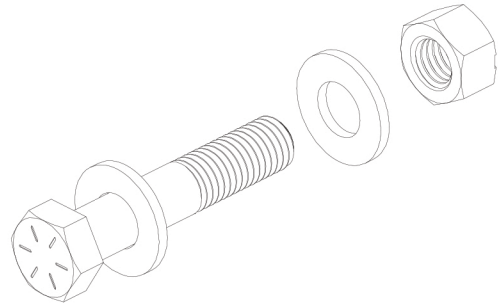
Includes: Composite cylinder & rod,
 (2) Clevis Pins, (2) Retainers



Air Release Topplate Standard Air Cylinder	
JOIST	
Order Number	Weight
SK 75015-05	5 lbs.

Includes: Stainless Steel Air Cylinder,
 Clevis, Long Clevis Pin,
 Short Clevis Pin, Washer &
 Cotter Pin

Includes: 5/8" grade 8 fasteners
 Hardened steel SAE washers
 Grade C lock nuts

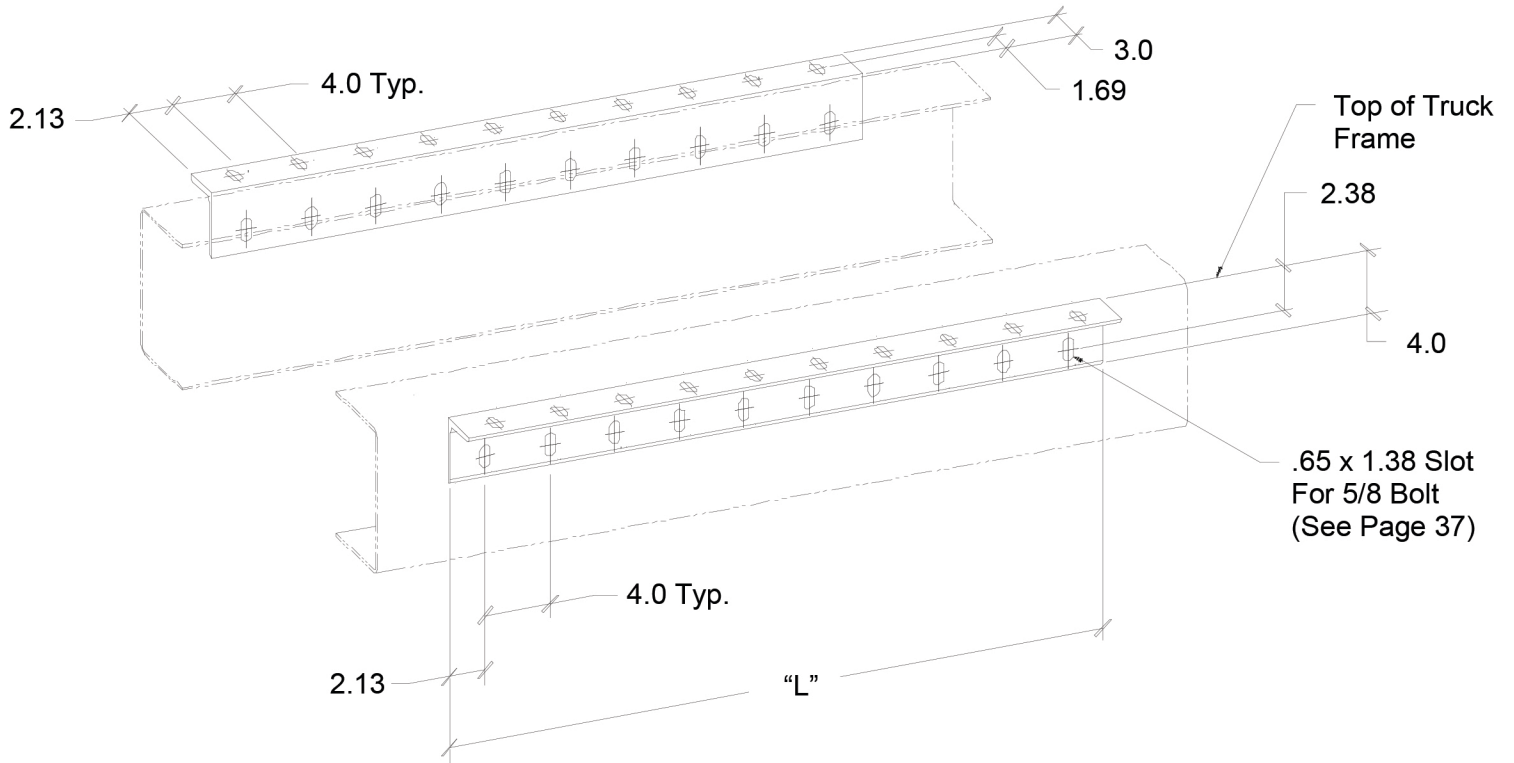


Note: Outboard sliding fifth wheel to mounting angle kits attach fifth wheel to mounting angles.
 To attach mounting angle to tractor frame order a mounting angle to tractor frame hardware kit.

Outboard Sliding Fifth Wheel To Mounting Angle Kits			
Slide Travel	Fastener Qty.	Weight	JOIST Order Number
8"	18	7 lbs.	SK 75000-18
12"	20	8 lbs.	SK 75000-20
16"	22	9 lbs.	SK 75000-22
24"	26	11 lbs.	SK 75000-26
36"	32	14 lbs.	SK 75000-32
48"	38	16 lbs.	SK 75000-38

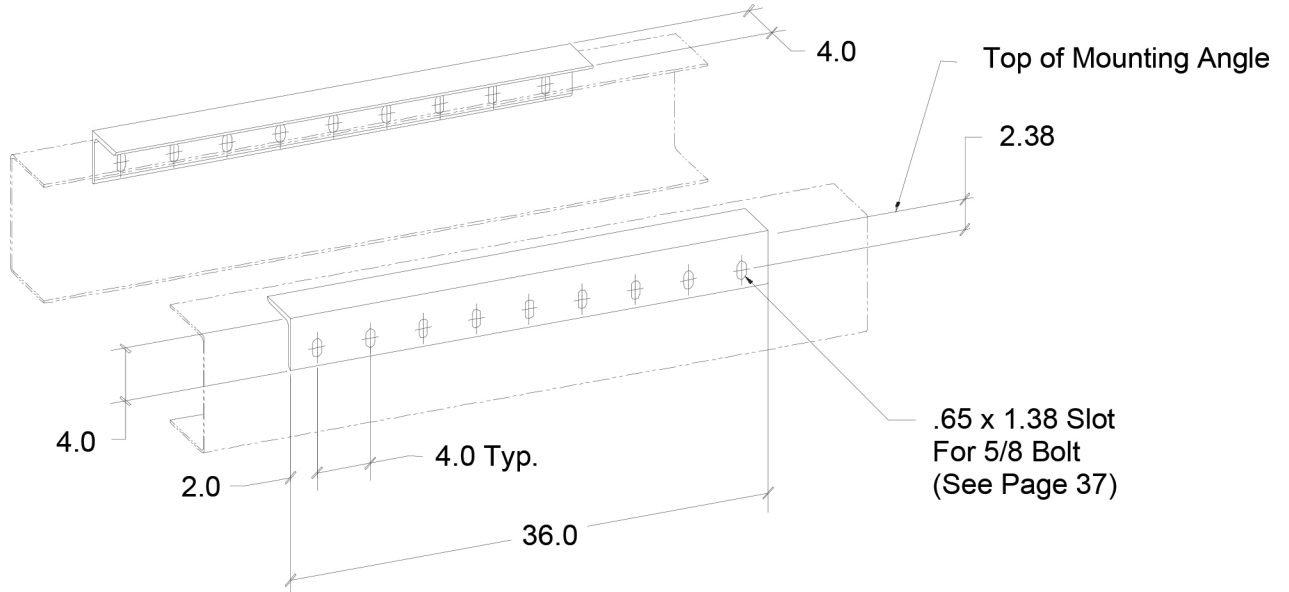
Stationary Fifth Wheel To Mounting Angle Kit			
Mounting Style	Fastener Qty.	Weight	JOIST Order Number
Flat Plate Mount	10	5 lbs.	SK 75001-10
Corrugated Mounting Plate	18	8 lbs.	SK 75017-18

Mounting Angle To Tractor Frame Kits			
Model Type	Fastener Qty.	Weight	JOIST Order Number
6"/8" Slider	8	4 lbs.	SK 75001-08
Stationary	10	5 lbs.	SK 75001-10
12" Slider			
18"/16" Slider	12	6 lbs.	SK 75001-12
24" Slider	14	6 lbs.	SK 75001-14
36" Slider	16	7 lbs.	SK 75001-16
48" Slider	18	8 lbs.	SK 75001-18



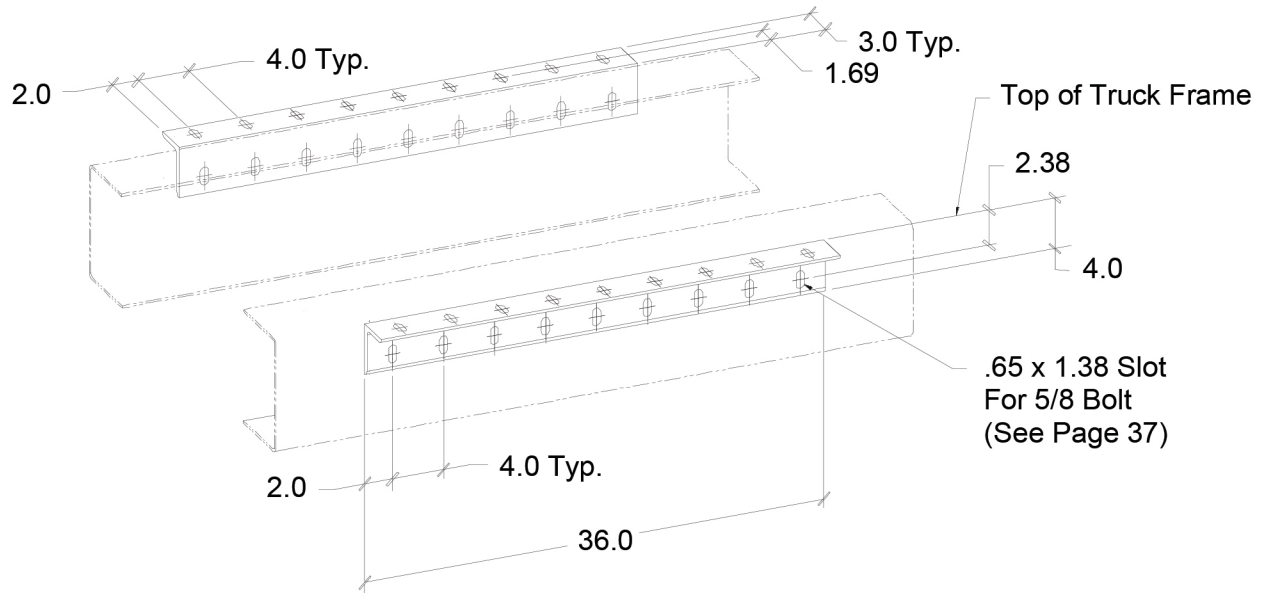
Sliding Outboard Mounting Angle						
Material Type	Thickness	Slide Travel	"L" Length	Weight Per Angle	JOIST Order Number* As shown	JOIST Order Number* w/out Frame Holes
Structural ASTM-A-36	5/16	8	36 1/4	20 1/2 lbs.	SK 75007-08	SK 75052-08
		12	40 1/4	22 lbs	SK 75007-12	SK 75052-12
		16	44 1/4	24 1/2 lbs.	SK 75007-16	SK 75052-16
		24	52 1/4	29 lbs.	SK 75007-24	SK 75052-24
		36	64 1/4	35 1/2 lbs.	SK 75007-36	SK 75052-36
		48	76 1/4	42 lbs.	SK 75007-48	SK 75052-48
	3/8	8	36 1/4	23 1/2 lbs.	SK 75008-08	SK 75054-08
		12	40 1/4	26 1/4 lbs.	SK 75008-12	SK 75054-12
		16	44 1/4	29 lbs.	SK 75008-16	SK 75054-16
		24	52 1/4	34 lbs.	SK 75008-24	SK 75054-24
		36	64 1/4	42 lbs.	SK 75008-36	SK 75054-36
		48	76 1/4	50 lbs.	SK 75008-48	SK 75054-48

* Order numbers include (1) piece only



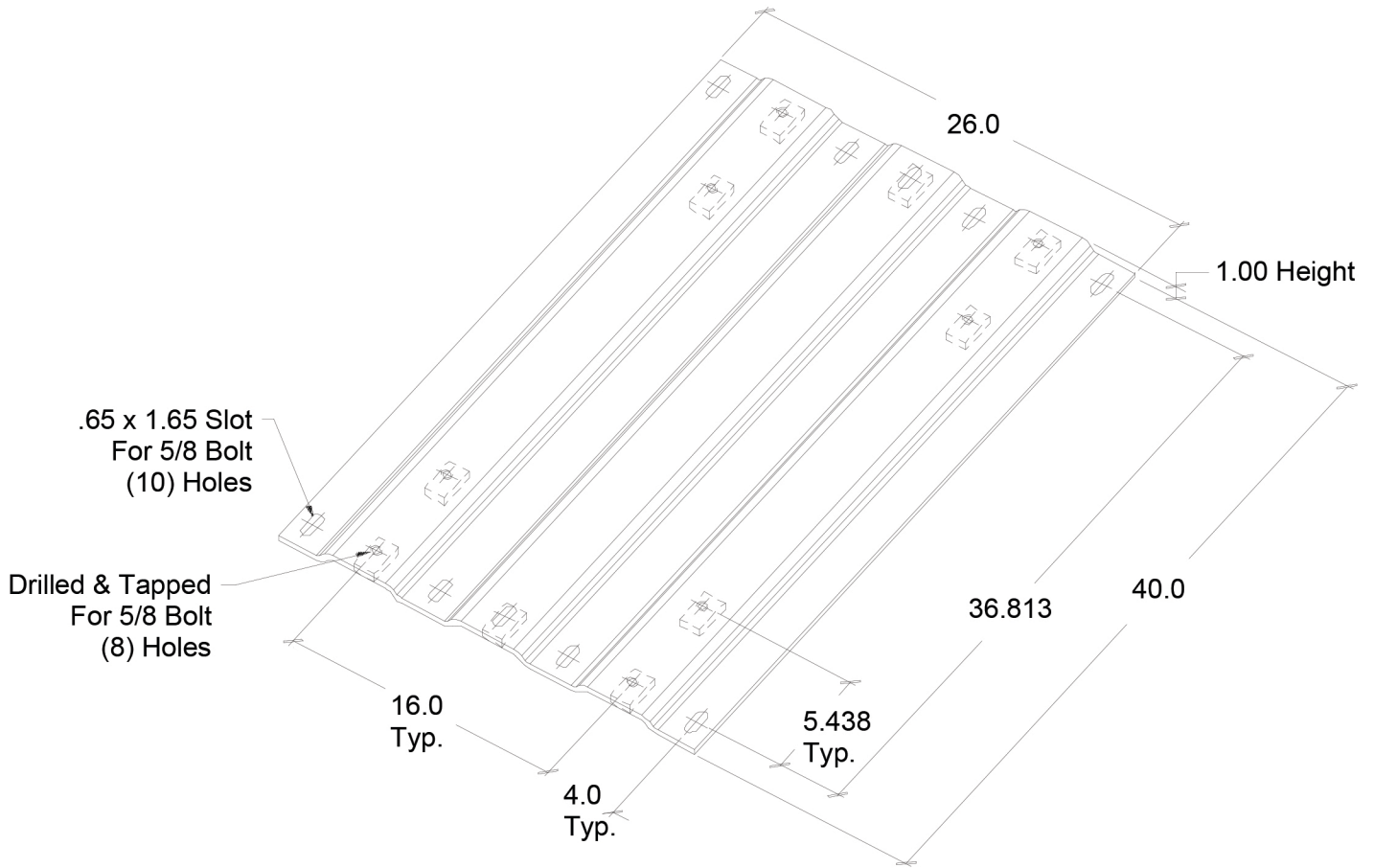
Stationary Inboard Mounting Angle			
Material Type	Thickness	Weight Per Angle	JOST Order Number*
Structural ASTM-A-36	5/16	23 1/2 lbs.	SK 75003-31
	3/8	28 1/2 lbs.	SK 75003-38

* Order numbers include (1) piece only

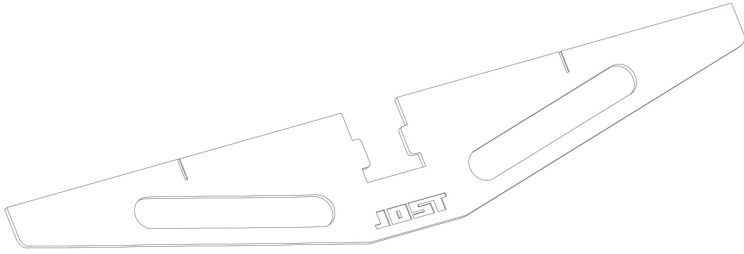


Stationary Outboard Mounting Angle				
Material Type	Thickness	Weight Per Angle	JOST Order Number* As shown	JOST Order Number* w/out Frame Holes
Structural ASTM-A-36	5/16	19 1/2 lbs.	SK 75005-31	SK 75005-131
	3/8	24 lbs.	SK 75005-38	SK 75005-138

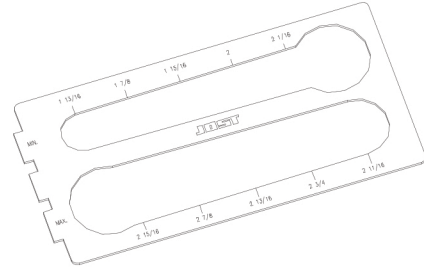
* Order numbers include (1) piece only



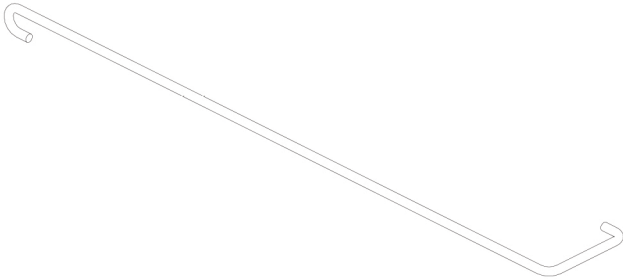
CORRUGATED MOUNTING PLATE	
	Weight
Order Number	99 lbs.
SK 75011-00	



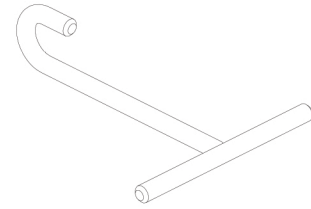
UPPER COUPLER GAGE	
JUST Order Number	Weight
SK 76001-05	30 lbs.



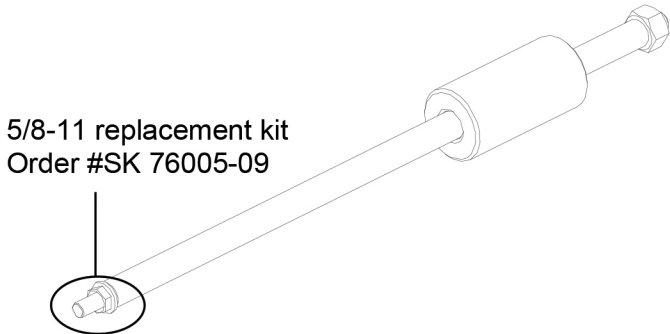
KINGPIN GAGE	
JUST Order Number	Weight
SK 76001-01	4 1/2 lbs.



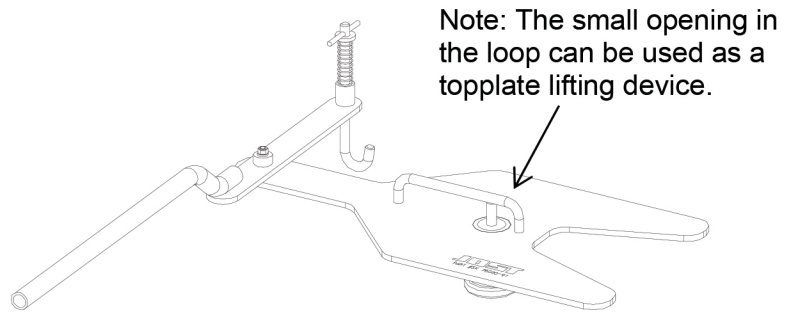
FIFTH WHEEL RELEASE HOOK	
JUST Order Number	Weight
SK 75021-00	1 1/4 lbs.



DOUBLE COIL SPRING TOOL	
JUST Order Number	Weight
SK 76003-00	1/4 lb.



BRACKET PIN SLIDE HAMMER	
JUST Order Number	Weight
SK 76005-01	19 lbs.



FIFTH WHEEL LOCK TESTER	
JUST Order Number	Weight
SK 76000-00	30 lbs.

The reasons are simple.

JOST

History of JOST



1952 Establishment of the factory for turntables in Neu-Isenburg, Germany

1956 Production of fifth wheels begins at JOST

1960 Production begins in South Africa
Foundation of Great Britain Ltd. JOST

1970 Foundation of JOST Italia S.R.l.
Foundation of JOST South Africa (Pty.) Ltd
Foundation of JOST France
Foundation of JOST Belgium NV



1980 **Foundation of JOST International Corp. in Grand Haven, Michigan**

Foundation of JOST Iberica, Spain
Foundation of Australia Pty JOST Ltd
Production of landing gear doubles

1990 **Production of landing gear begins at Jost International**

Foundation of JOST Far East Pte. Ltd
Foundation of China JOST
Foundation of JOST Brazil
Foundation of Hungaria
Introduction of new product offerings for container equipment and intermodal equipment

1999 **Production of fifth wheels begins in Greeneville, Tennessee**

Acquisition of the Rockinger product line of tow bars and trailer hitches in Germany
Foundation of JOST Rus
Acquisition of REGENSBURGER
Acquisition of Tridec Steering Solutions
Foundation of JOST India
Foundation of JOST Polska



2012 Foundation of JOST Japan
Acquisition of Edbro Hydraulic Systems

JOST



Quicke

JOST

JOST International
1770 Hayes Street
Grand Haven, MI 49417

Ph. 800-253-5105
Fax (616) 846-0310
www.jostinternational.com

LT SKCAT-01 Rev P